

105VAC MIN  
115VAC NOM  
125VAC MAX  
50/60HERTZ

BLACK 22GA

S1 BLUE

WHT/BLK 22GA

28VAC NO LOAD  
BLUE

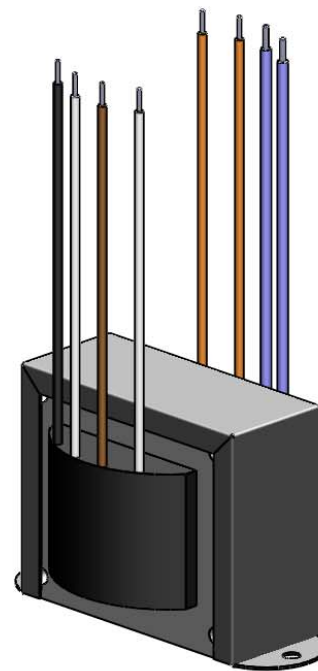
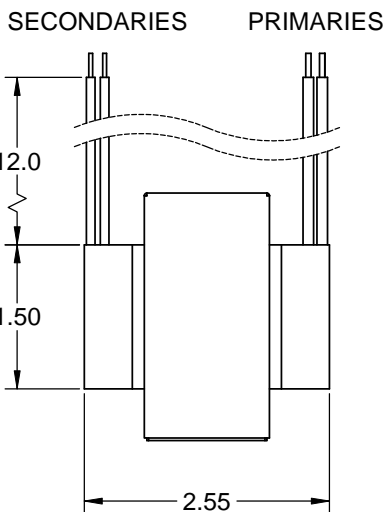
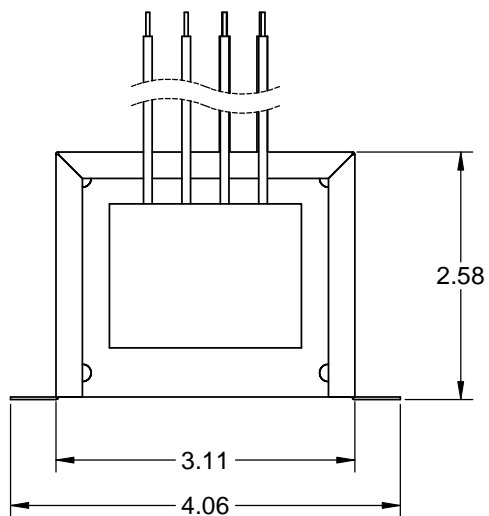
105VAC MIN  
115VAC NOM  
125VAC MAX  
50/60HERTZ

BROWN 22GA

S2 ORANGE

WHT/BRN 22GA

10V NO LOAD  
2A FULL LOAD  
ORANGE



**NOTES:**

1. APPROXIMATE WEIGHT, 3 LBS.
2. USE GRAIN ORIENTED (M6) LAMINATION MATERIAL.
3. MAKE ALL LEADS APPROXIMATELY 12 IN. LONG.

**PROPRIETARY AND CONFIDENTIAL**  
THE INFORMATION CONTAINED IN THIS DRAWING IS THE SOLE PROPERTY OF ANAHEIM AUTOMATION INC. ANY REPRODUCTION IN PART OR AS A WHOLE WITHOUT THE WRITTEN PERMISSION OF ANAHEIM AUTOMATION INC. IS PROHIBITED.

ANAHEIM AUTOMATION INC. 910 E. ORANGEFAIR LANE  
ANAHEIM, CA 92801 (714) 992-6990

UNLESS OTHERWISE SPECIFIED:		NAME	DATE
DIMENSIONS ARE IN INCHES		TDR	1-15-10
TOLERANCES:		CHECKED	
FRACTIONAL ±		ENG APPR	
ANGULAR MATCH ±	BEND ±	MFG APPR	
TWO PLACE DECIMAL ±	THREE PLACE DECIMAL ± .005	D.A.	
INTERPRET GEOMETRIC TOLERANCING PER:		COMMENTS:	
MATERIAL:			
NEXT ASSY	USED ON	FINISH	
APPLICATION		DO NOT SCALE DRAWING	



TITLE:

TRANSFORMER, 100VA

SIZE DWG. NO. REV  
C AA2295 B

SCALE: 1:1 WEIGHT: SHEET 1 OF 1