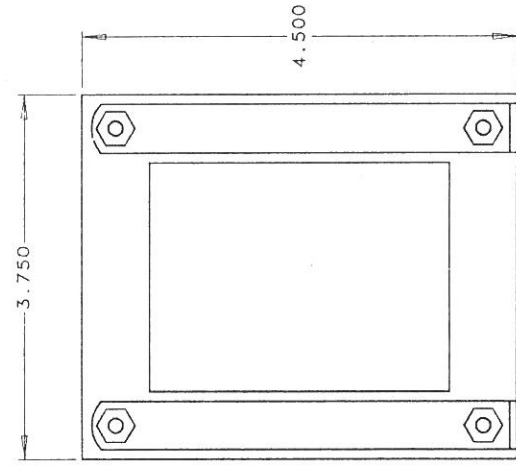
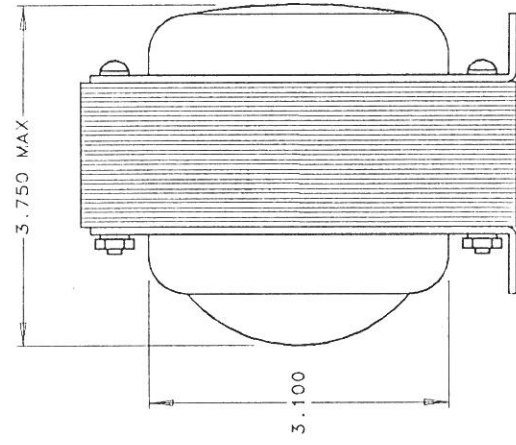
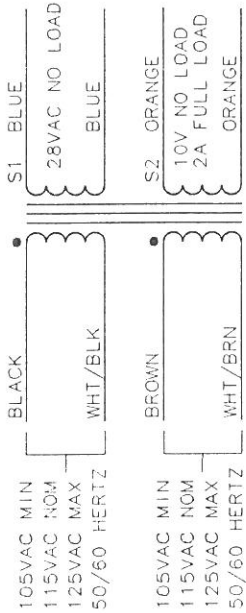
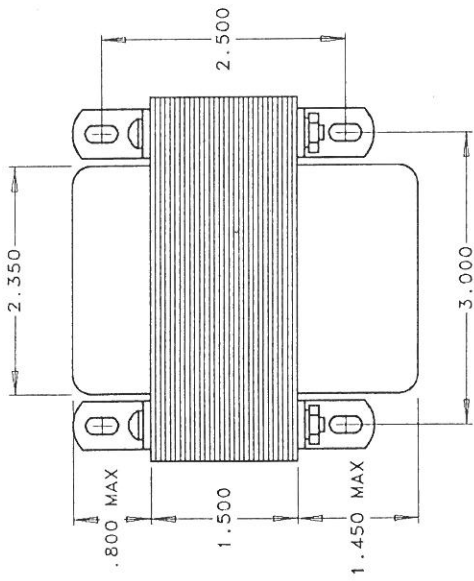


REVISIONS	
REV	DESCRIPTION



AA2785  
 ANAHEIM AUTOMATION  
 (714) 992-6990  
 DATE

TRANSFORMER LABEL

NOTES:

1. MAKE ALL LEADS APPROXIMATELY 12 INCHES LONG.
2. MAKE ALL LEAD WIRES 16 GAUGE.
3. APPROXIMATE WEIGHT 9 POUNDS.
4. USE GRAIN ORIENTED M6 LAMINATION MATERIAL.

TO SPACES UNLESS OTHERWISE SPECIFIED: XXXX = .0010 XXXX = .0010 ANGLES = .5 DEG.		APPROVALS T.D. REINES 4/17/92	DATE 4/17/92	TITLE TRANSFORMER, 300VA
FINISH DO NOT SCALE DRAWING		ANAHEIM AUTOMATION ANAHEIM, CA. 92801		
REFERENCE DRAWINGS C AA2785		SCALE 1/1		