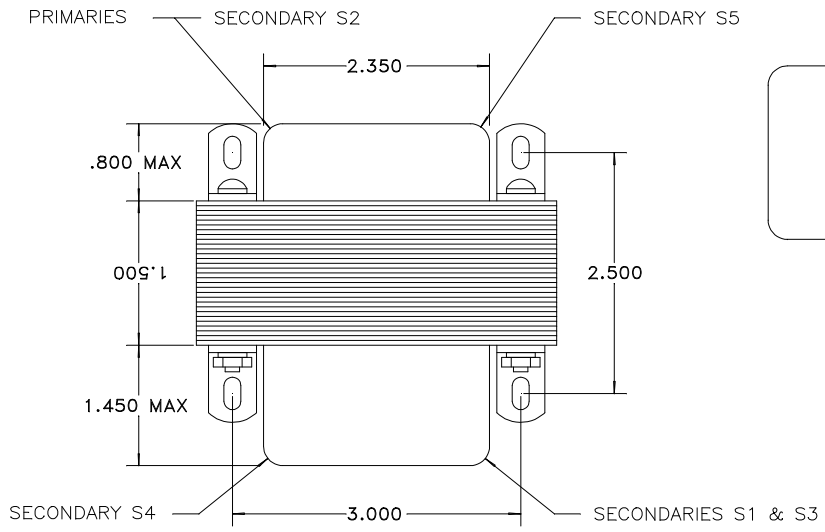
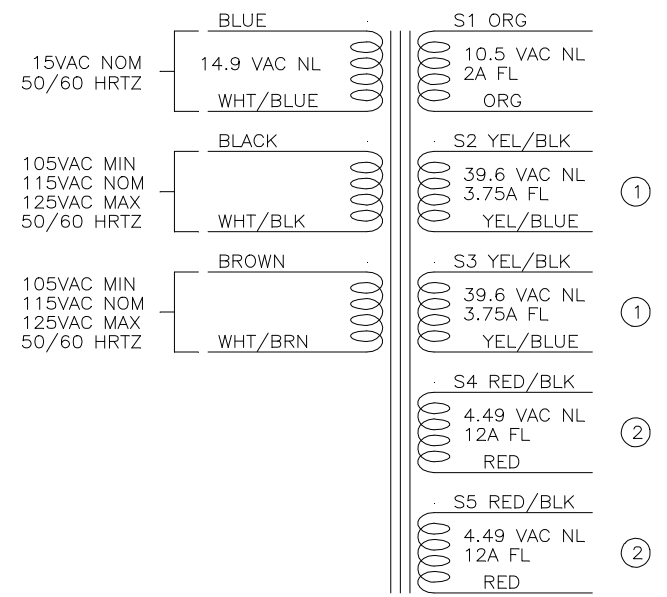
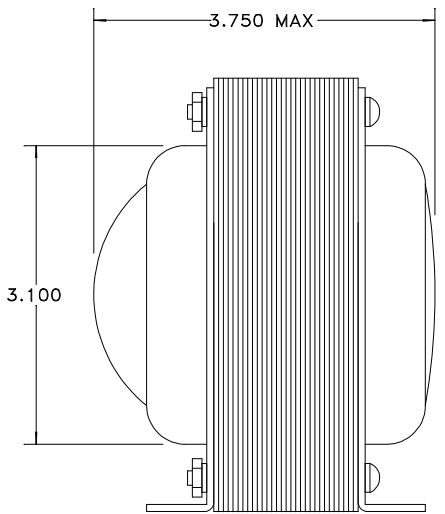
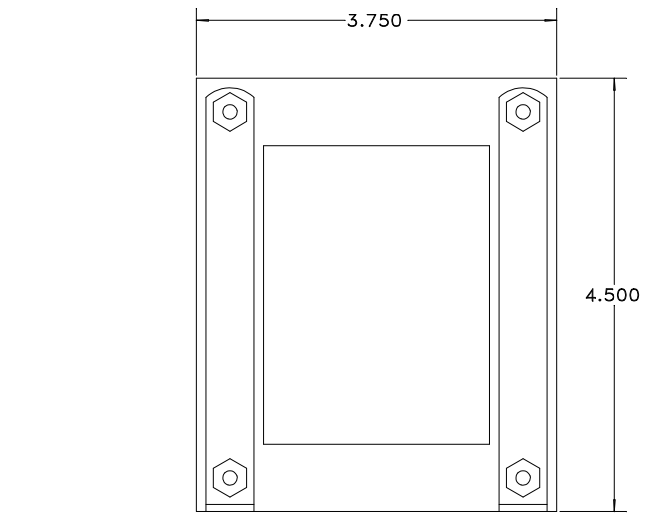


REVISIONS			
REV	DESCRIPTION	DATE	APPROVED



AA2793
 ANAHEIM AUTOMATION
 (714) 992-6990
 DATE

TRANSFORMER LABEL



NOTES:

- ① SECONDARIES S2 & S3 SHOULD BE WOUND NEXT TO THE CORE AND DESIGNED FOR THE HIGHEST POSSIBLE VA RATING. ASSUME THEY ARE THE ONLY SECONDARIES IN USE.
- ② THE PRIMARY TO SECONDARY TURNS RATIO SHOULD BE DESIGNED TO PROVIDE 4.49 VOLTS ON S4 & S5 WITH 115 VAC APPLIED.
3. MAKE ALL LEADS APPROXIMATELY 14 INCHES LONG.
4. MAKE ALL LEAD WIRES 16 GAUGE.
5. APPROXIMATE WEIGHT 9 POUNDS.
6. USE GRAIN ORIENTED M6 LAMINATION MATERIAL.

TOLERANCES UNLESS OTHERWISE SPECIFIED: XXX ±.010 XXX ±.005 XXX ±.0010 ANGLES ±.5 DEG.		ANAHEIM AUTOMATION ANAHEIM, CA. 92801	
AA2300C-DRIVER	MATERIAL	APPROVALS DRAWN T.D.RAINES CHECKED APPROVED	DATE 11/30/94
	FINISH	TITLE TRANSFORMER, 300VA	
REFERENCE DRAWINGS	DO NOT SCALE DRAWING	THIS DRAWING OR DOCUMENT AND INFORMATION SET FORTH HEREIN ARE THE PROPERTY OF ANAHEIM AUTOMATION AND SHALL NOT BE USED OR DISCLOSED EXCEPT IN ACCORDANCE WITH ITS WRITTEN PERMISSION.	SIZE C DRAWING NO. AA2793 REV.
		SCALE 1/1	MODEL SHEET 2 OF 2