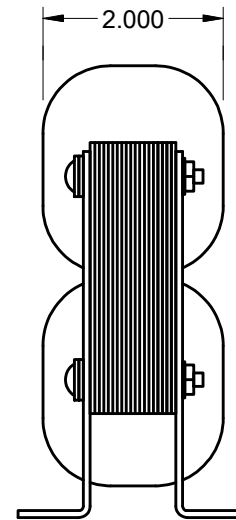
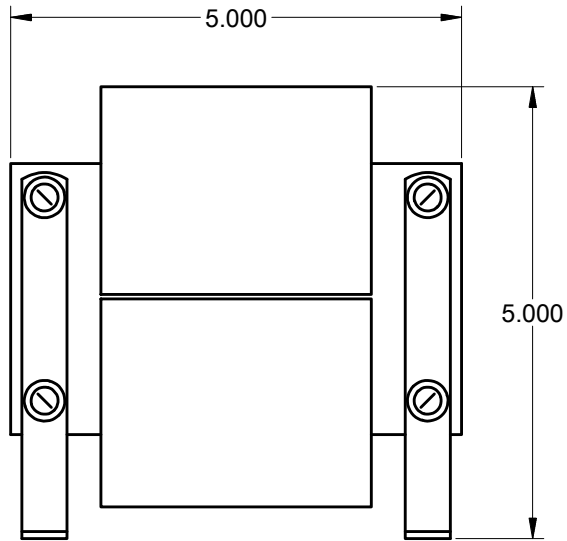
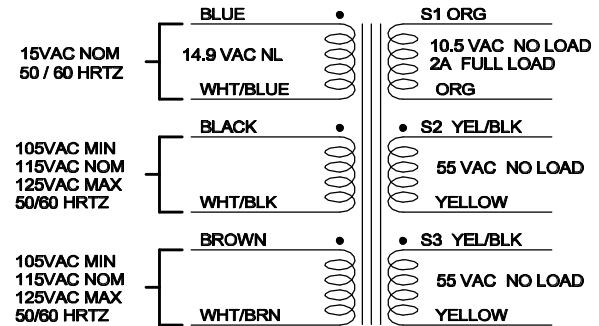
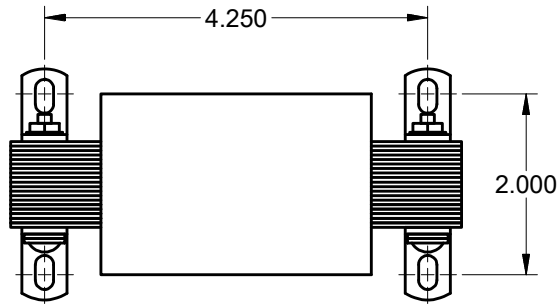



REVISIONS			
REV	DESCRIPTION	DATE	APPROVED



NOTES:

1. MAKE ALL LEADS 14" LONG.

 <b>ANAHEIM AUTOMATION</b> 910 EAST ORANGEFAIR LANE ANAHEIM, CA. 92801-1195		THIS DRAWING OR DOCUMENT AND THE INFORMATION SET FORTH HEREIN ARE THE PROPERTY OF ANAHEIM AUTOMATION AND SHALL NOT BE USED OR DISCLOSED EXCEPT IN ACCORDANCE WITH ITS WRITTEN PERMISSION.	
AA3477 REFERENCE DRAWINGS		TITLE <b>TRANSFORMER, 300VA</b>	
UNLESS OTHERWISE SPECIFIED: ANGLES ±.005 DIMS ±.005 HOLE ±.005 TOLERANCES:		SIZE <b>C</b>	DATE <b>6-13-00</b>
MATERIAL FINISH		DRAWING NO. <b>AA3621</b>	REV.
DRAWN T. RAINES		SCALE 1/1	SHEET 1 OF 1