

# Differential Encoder with Index Channel

## FEATURES

- Small Size, Pre-Mounted to Dual Shaft Motor
- 50 to 5,000 Cycles Per Revolution (CPR)
- Tracks 0 to 100,000 Cycles Per Second
- 2-Channel Quadrature Differential Squarewave Outputs
- Third Index Channel
- Allows + / - .010" Axial Shaft Play
- Powered From a Single +5VDC Power Supply
- Operating Temperature of -40° to +100° C
- RoHS Compliant and Reach Certified



## DESCRIPTION

Our Differential Encoders with Index Channel are transmissive optical encoder modules. These modules are designed to detect rotary position with a codewheel when added to the end of an Anaheim Automation dual shaft motor. These differential encoders consist of a lensed LED source and a monolithic detector IC enclosed in a small polymer package. These modules use phased array detector technology to provide superior performance and greater tolerances over traditional aperture mask type encoders. They provide digital quadrature differential outputs on all resolutions. These encoders are powered from a single +5VDC power supply.

## DIMENSIONS AND PINOUTS

To order an differential encoder with index, add a “ - ”, the CPR number, and a DI on the end of any Anaheim Automation dual shaft motor.

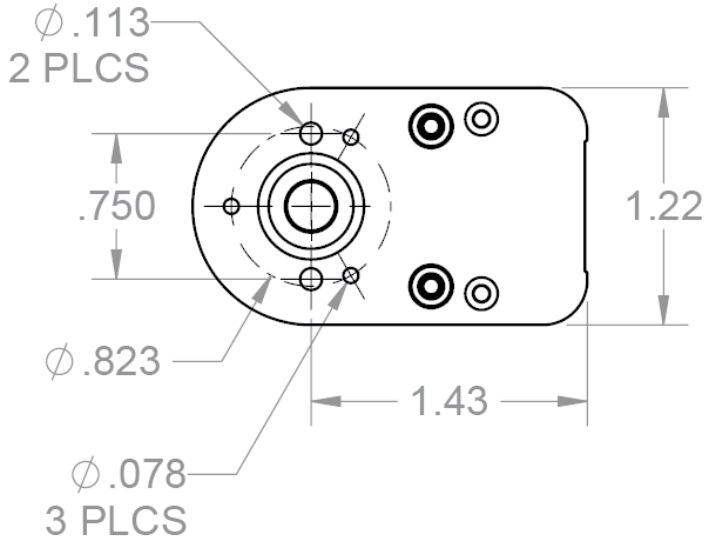
# 23Y106D-LW8-0400DI

CPR		
50	400	1250
96	500	2000
100	512	2048
192	540	2500
200	720	4000
250	900	4096
256	1000	5000
360	1024	

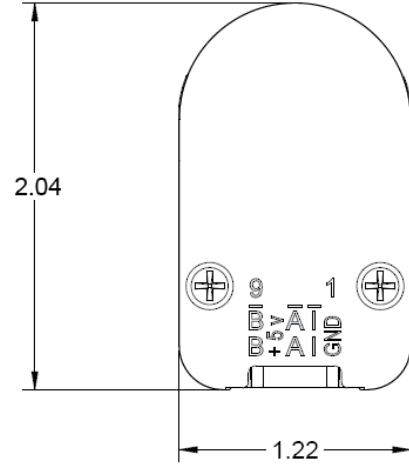
Example: The part number for a 400 CPR encoder mounted on a 23Y106D-LW8 stepper motor would be 23Y106D-LW8-0400DI.

L010387

DIMENSIONS

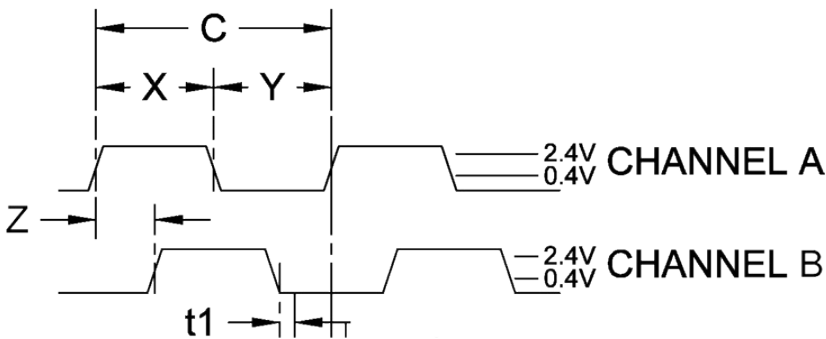


Note: Dimensions are in inches



PIN/TIMING DIAGRAMS

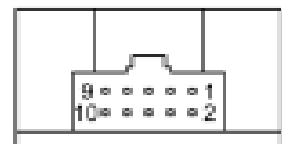
Differential Encoder Timing Diagram



ROTATION:  
 CW - B LEADS A, CCW - A LEADS B

**DIFFERENTIAL ENCODER PINOUT**  
TOP OF ENCODER FACING PLUG

Pin #	Function	Color
1	Ground	Drain (Con. One End)
2	Ground	Green W/ White Stripe
3	I-Channel	White W/ Orange Stripe
4	I+Channel	Orange W/ White Stripe
5	A-Channel	White W/ Blue Stripe
6	A+Channel	Blue W/ White Stripe
7	Power	White W/ Green Stripe
8	Power	No Connection
9	B-Channel	White W/ Brown Stripe
10	B+Channel	Brown W/ White Stripe



Model #	Description
CPR(N):	The Number of Cycles Per Revolution
One Shaft Rotation:	360 mechanical degrees, N cycles
One Electrical Degree (°e):	1/360th of one cycle
One Cycle (C):	360 electrical degrees (°e). Each cycle can be decoded into 1 or 4 codes, referred to as X1 or X4 resolution multiplication
Symmetry:	A measure of the relationship between (X) and (Y) in electrical degrees, nominally 180 °e
Quadrature (Z):	The phase lag or lead between channels A and B in electrical degrees, nominally 90 °e
Index (CH I):	The Index Output goes high once per revolution, coincident with the low states of channels A and B, nominally 1/4 of one cycle (90°e)

Timing Characteristics	Symbol	Min	Typ	Max	Units
Cycle Error	C	-	3.0	5.5	°e
Symmetry	X,Y	150	180	210	°e
Quadrature	Z	60	90	120	°e
Index Pulse Width	Po	60	90	120	°e
Ch. I Rise After Ch. B or Ch. A Fall	t1	10	100	250	ns
Ch. I Fall After Ch. B or Ch. A Rise	t2	70	150	300	ns

Parameter	Max	Units
Vibration (5 to 2kHz)	20	g
Shaft Axial Play	+/- 0.01	in.
Shaft Eccentricity Plus Radial Play	0.004	in.
Acceleration	250,000	rad/sec <sup>2</sup>

Parameter	Min	Typ	Max	Units
<b>Supply Voltage</b>	4.5	5.0	5.5	Volts
<b>Supply Current</b>				
CPR < 500, no load	-	29	36	mA
CPR ≥ 500, no load	-	57	65	mA
<b>Output Low (I<sub>OL</sub> = 8mA max)</b>	-	0.2	0.4	Volts
<b>Output High*</b>				
I <sub>OL</sub> = -8mA max	2.4	3.4	-	Volts
<b>Differential Output Rise/ Fall Time</b>	-	-	15	nS

\* Unloaded high level output voltage is 4.80V typically, 4.2V minimum.

Recommended Operating Conditions	Min	Max	Units
Temperature (CPR < 2000)	-40	100	°C
Temperature (CPR ≥ 2000)	-25	100	°C
Load Capacitance	-	100	pF
Count Frequency (CPR ≤ 1250)	-	100	kHz
Count Frequency (CPR 2000-2500)	0	360	kHz
Count Frequency (CPR 4000+)	0	720	kHz

## Cables:

The following cables are compatible with Anaheim Automation's differential series encoder with index. Select a cable length from the table below:

Cable Part Number	Length
ENC-CBL-AA4706	1 ft.
ENC-CBL-AA4706-5	5 ft.
ENC-CBL-AA4706-10	10 ft.
ENC-CBL-AA4706-20	20 ft.

*NOTE: For pricing and other information on cables and centering tools, please visit Accessories on our website.*