

The following cables are recommended for use with Kinco's FD servo drives and SMC, SMH, and SMS series servo motors.

Servo Motor Cables

Item	Description	Matching Product	Length (in)	# of Leads
KNC-SRV-MOT-005-05-KL-D	Servo Motor Cable	FD114S-005 & FD114S-01/FD124S-02 to SMC40S-0005, SMC40S-0010, & SMC60S-0020	196	4
KNC-SRV-MOT-005-05-KL-Y	Servo Motor Cable	FD413 to SMS60S-0020 and FD423 to SMS60S-0040/SMS80S-0075	196	4
KNC-SRV-MOT-008-05-KC4	Servo Motor Cable	FD432S to SMC130D-0150 and SMC130D-0200	196	4
KNC-SRV-MOT-008-05-KC4-B	Servo Motor and Brake Cable	FD432S to SMC130D-0150 and SMC130D-0200	196	6
KNC-SRV-MOT-008-05-KL-D	Servo Motor Cable	FD123 to SMC60S-0040 and SMC80S-0040	196	4
KNC-SRV-MOT-015-05-KL-SP	Servo Motor Cable	FD134S-LB-000 to SMC80S-0075-30MAK-3DSU & SMC80S-0075-30MBK-3DSU	196	4
KNC-SRV-MOT-040-05-KC5	Servo Motor Cable	FD144S-LB-000 to SMC130D-0120-30AAK-4DKR, SMH110D-0120-30AAK-4DKR, & SMC130D-0150-30AAK-4DKR	196	4
KNC-SRV-MOT-040-05-KC5-B	Servo Motor Cable with Brake	FD144S-LB-000 to SMC130D-0120-30ABK-4DKR, SMH110D-0120-30ABK-4DKR, & SMC130D-0150-30ABK-4DKR	196	6

Servo Brake Cables

Item	Description	Matching Product	Length (in)	# of Leads
KNC-SRV-BRA-05-KL	Servo Brake Cable	FD114S/FD124S/FD134S to SMC40S-0005-30MBK-5DSU, SMC40S-0010-30MBK-5DSU, SMC60S-0020-30MBK-3DSU, SMC60S-0040-30MBK-3DSU, & SMC80S-0075-30MBK-3DSU	196	2

DESCRIPTION

SPECIFICATIONS

DESCRIPTION

Servo Motor Cables

Item	Description	Matching Product	Length (in)	# of Leads
KNC-SRV-ENCDG-05-GU	Servo Encoder Cable	FD413 to SMS60S-0020 and FD423 to SMS60S-0040, SMS80S-0075	196	Plug
KNC-SRV-ENCHA-05-KC0	Servo Encoder Cable	FD144S-LB-000 to SMC130D-0120-30AAK/ABK-4DKR, SMH110D-0120-30AAK/ABK-4DKR, & SMC130D-0150-30AAK/ABK-4DKR	196	Plug
KNC-SRV-ENCHG-05-KC0	Servo Encoder Cable	FD114S to SMC40S-0005 & SMC40S-0010, FD124S to SMC60S-0020 & SMC60S-0040, FD134S to SMC80S-0075	196	Plug

Servo Brake Cables

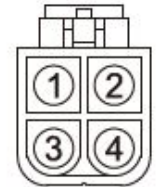
Item	Description	Matching Product	Length (in)	# of Leads
KNC-SRV-BRA-05-KL	Servo Brake Cable	FD114S/FD124S/FD134S to SMC40S-0005-30MBK-5DSU, SMC40S-0010-30MBK-5DSU, SMC60S-0020-30MBK-3DSU, SMC60S-0040-30MBK-3DSU, & SMC80S-0075-30MBK-3DSU	196	2

SPECIFICATIONS

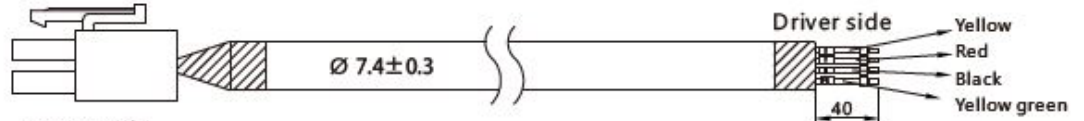
DESCRIPTION

Servo Motor Cables

KNC-SRV-MOT-005-05-KL-D



4PIN terminal



Motor side
H66L5-04P

Wire Spec: 4x18AWG(41/0.167)
18AWG cross sectional area 0.8107mm²

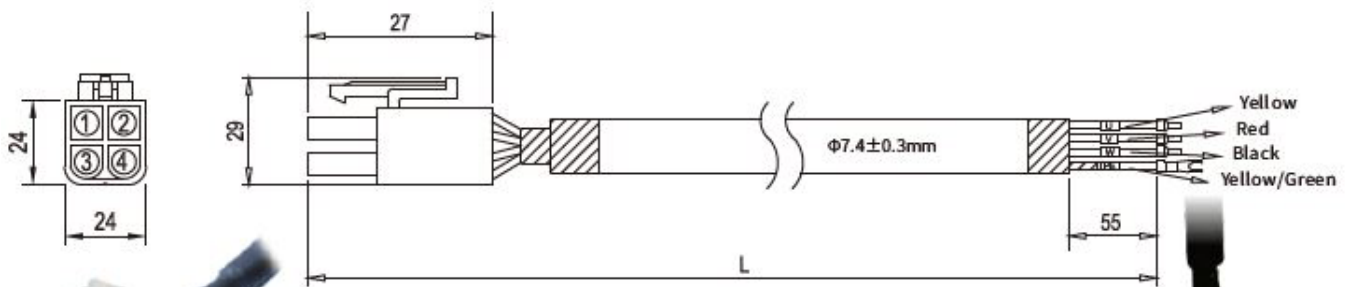


Color	Signal	4PIN Plug
Yellow	U	PIN1
Red	V	PIN2
Black	W	PIN3
Yellow-Green	PE	PIN4



SPECIFICATIONS

KNC-SRV-MOT-005-05-KL-Y



Wire Spec: 4x18AWG(41/0.167)
18AWG cross sectional area 0.8107mm²

Color	Signal	HSG Plug
Yellow	U	PIN1
Red	V	PIN2
Black	W	PIN3
Yellow-Green	PE	PIN4

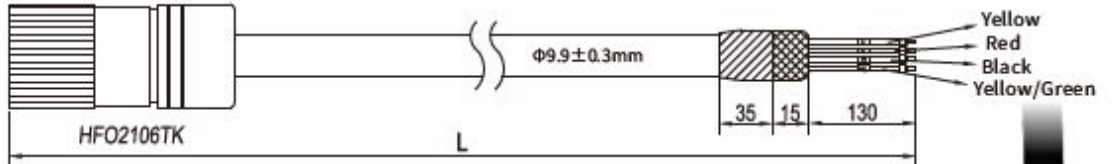


DESCRIPTION

KNC-SRV-MOT-008-05-KC4



6PIN



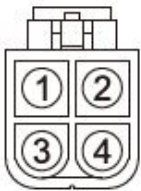
Wire Spec: UL2586x16AWG
16AWG cross section area is 1.318mm²

Color	Signal	HFO2106TK
Yellow	U	PIN2
Red	V	PIN3
Black	W	PIN4
Yellow-Green	PE	PIN6

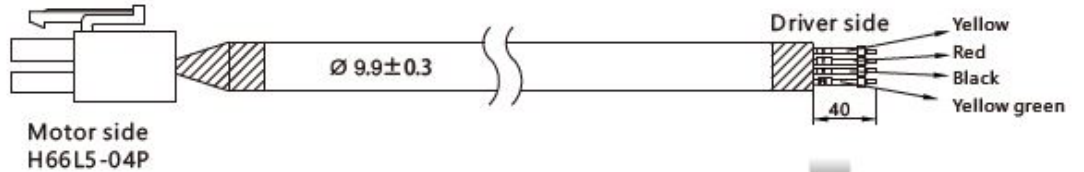


SPECIFICATIONS

KNC-SRV-MOT-008-05-KL-D



H66L5-04P



Wire Spec: UL2586x16AWG
16AWG cross section area is 1.318mm²

Color	Signal	H66L5-04P
Yellow	U	PIN1
Red	V	PIN2
Black	W	PIN3
Yellow-Green	PE	PIN4

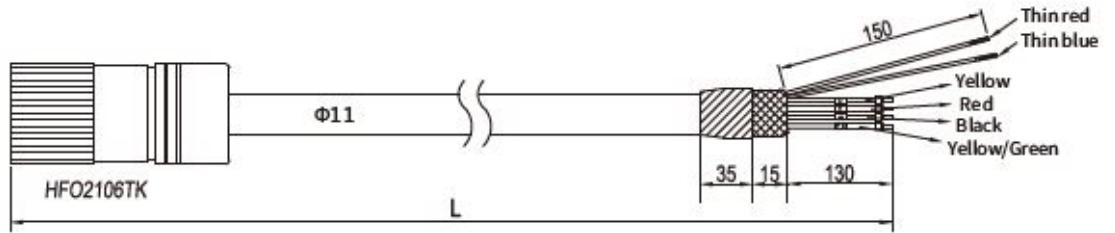


DESCRIPTION

KNC-SRV-MOT-008-05-KC4-B



6PIN

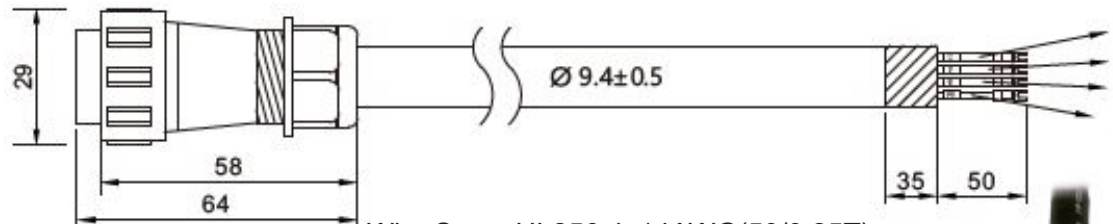


Wire Spec: RVVYP 4x1.5mm²+2x1.5mm²

Color	Signal	HFO2106TK
Yellow	U	PIN2
Red	V	PIN3
Black	W	PIN4
Yellow-Green	PE	PIN6
Thin Red	Brake+	PIN1
Thin Blue	Brake-	PIN5

SPECIFICATIONS

KNC-SRV-MOT-015-05-KL-SP



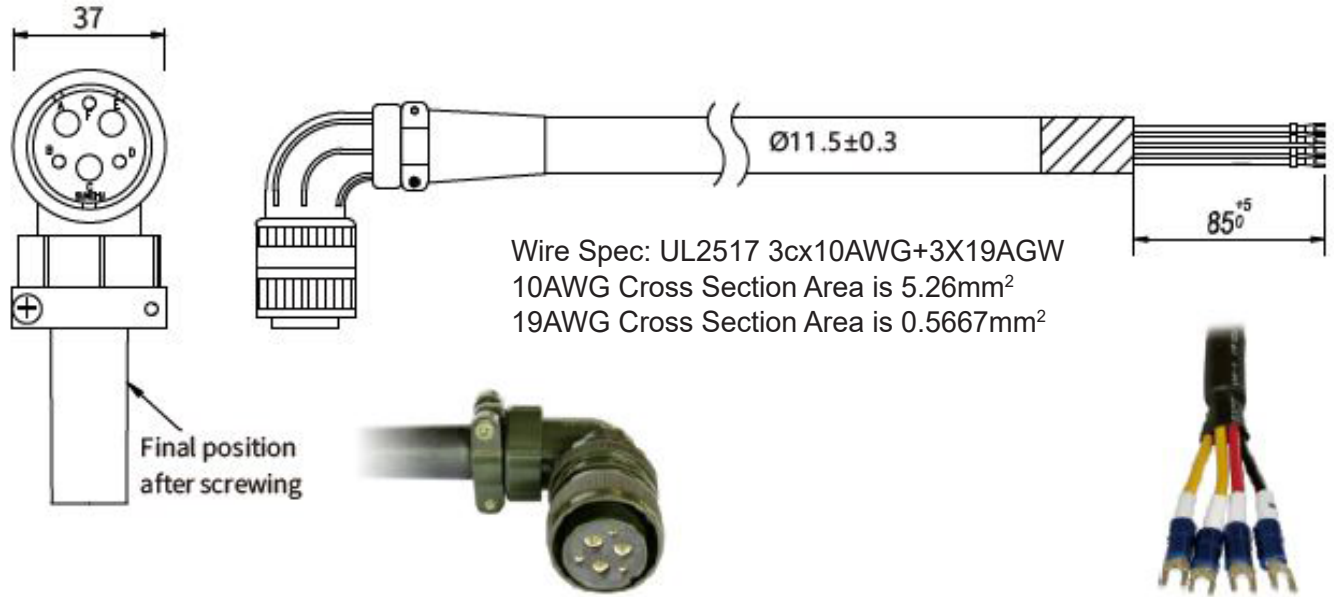
Wire Spec: UL256 4x14AWG(50/0.25T)
14AWG Cross Section Area is 2.075mm²

Color	Signal	5PIN Air Insertion
Yellow	U	PIN1
Red	V	PIN2
Black	W	PIN3
Yellow-Green	PE + Shielding	PIN4
NC	NC	PIN5



DESCRIPTION

KNC-SRV-MOT-040-05-KC5



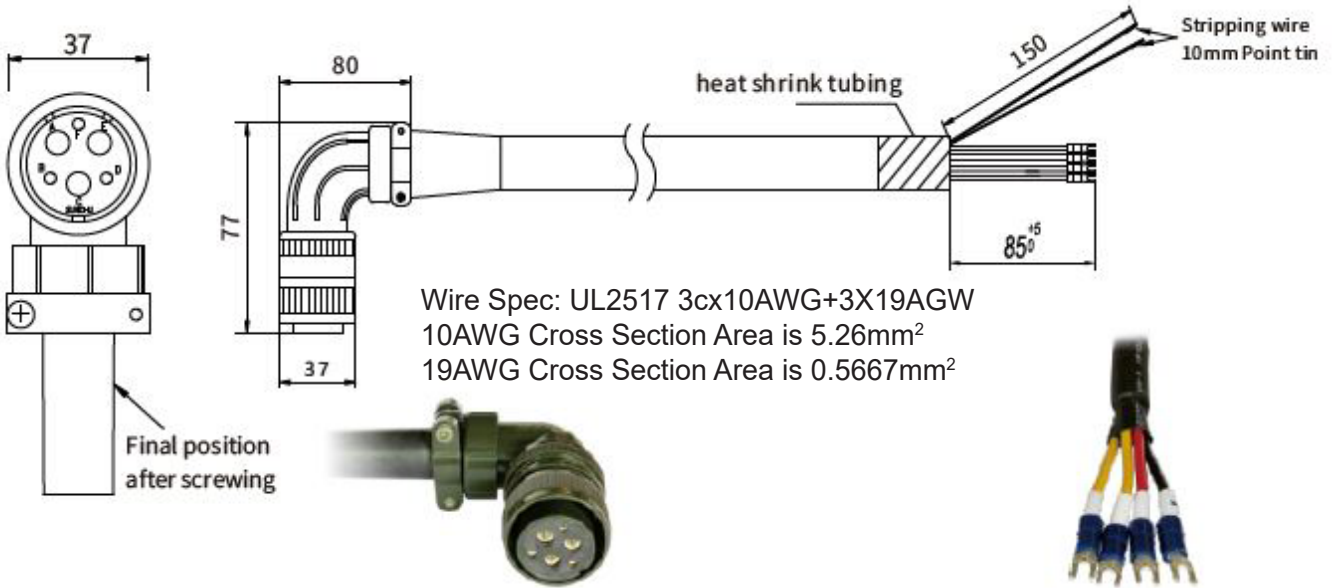
Wire Spec: UL2517 3cx10AWG+3X19AGW
 10AWG Cross Section Area is 5.26mm²
 19AWG Cross Section Area is 0.5667mm²

SPECIFICATIONS

Color	Signal	Air Insertion
Yellow	U	PINA
Red	V	PINE
Black	W	PINC
Yellow-Green	PE	PINF
Shielded Wire	Shielding	Metal Ring

DESCRIPTION

KNC-SRV-MOT-040-05-KC5-B



Wire Spec: UL2517 3cx10AWG+3X19AGW
 10AWG Cross Section Area is 5.26mm²
 19AWG Cross Section Area is 0.5667mm²

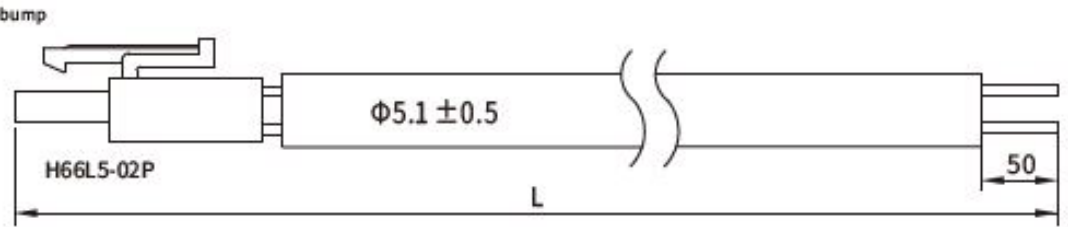
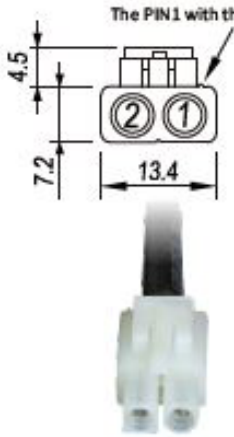
SPECIFICATIONS

Color	Signal	Air Insertion
Yellow	U	PINA
Red	V	PINE
Black	W	PINC
Yellow-Green	PE	PINF
Thin Red	Brake+	PINB
Thin Blue	Brake-	PIND
Shielded Wire	Shielding	Metal Ring

DESCRIPTION

Servo Brake Cables

KNC-SRV-BRA-05-KL



Wire Spec: UL24642C*20AWG
 20AWG Cross Section Area is 0.5189mm²

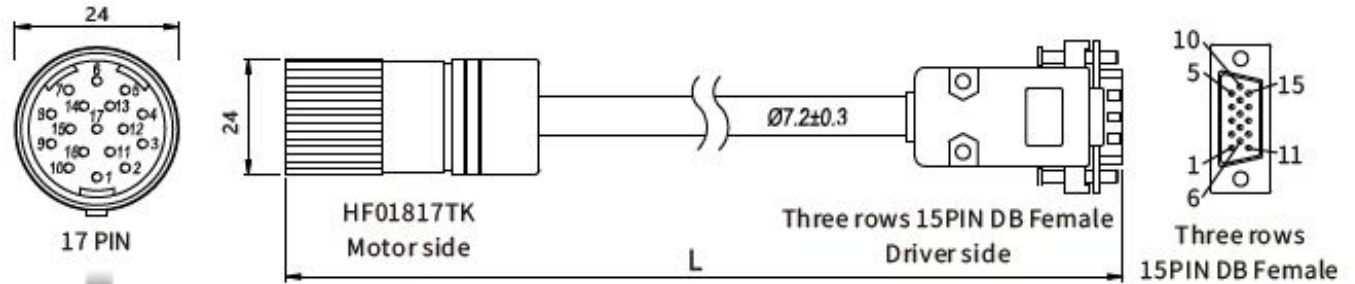
Color	Signal	2PIN Plug
Red	Brake+	PIN1
Blue	Brake-	PIN2

SPECIFICATIONS

DESCRIPTION

Servo Encoder Cables

KNC-SRV-ENCHA-05-KC0



Wire Spec: UL24642 24AWG/1P+28AWG/7P+AB 1061
 24AWG Cross Section Area is 0.2047mm²
 28AWG Cross Section Area is 0.0804mm²

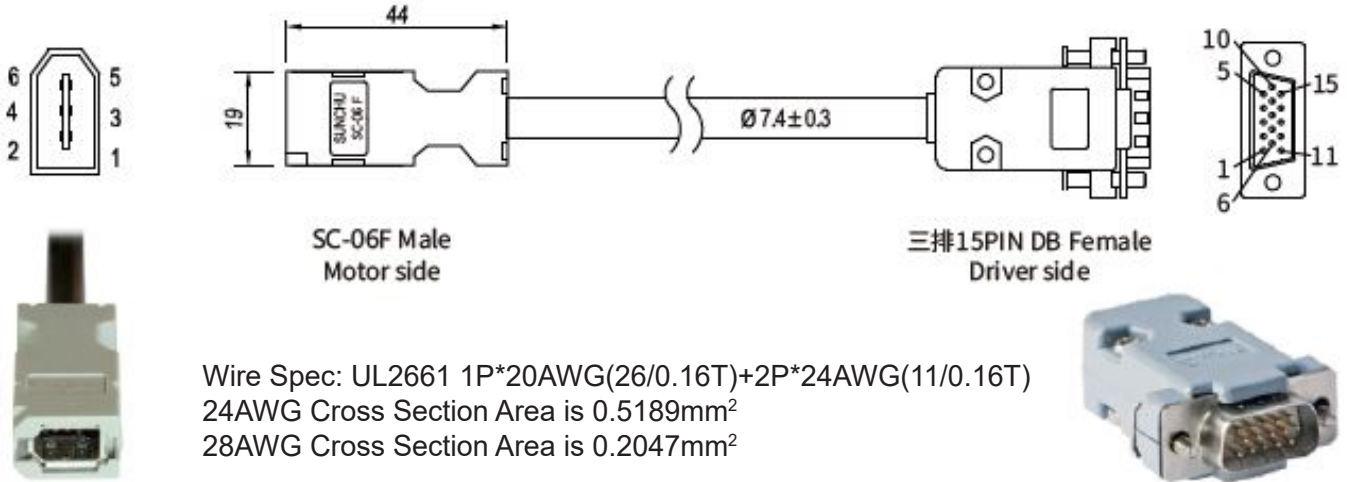


SPECIFICATIONS

17PIN Air Insertion	Three rows of 15PIN DB	Signal	Color
PIN1	PIN1	+5V	Red (thick)
PIN3	PIN8	A	Orange
PIN5	PIN7	B	Yellow
PIN14	PIN6	Z	Green
PIN9	PIN4	U	Brown
PIN11	PIN10	V	Purple
PIN16	PIN9	W	Blue
PIN2	PIN2	GND	Black (thick)
PIN4	PIN13	/A	Orange white
PIN6	PIN12	/B	Yellow white
PIN15	PIN11	/Z	Green white
PIN10	PIN5	/U	Brown white
PIN12	PIN15	/V	Purple white
PIN17	PIN14	/W	Blue white
Belonging ring	Belonging to the shell	Shielding	Shielded wire

DESCRIPTION

KNC-SRV-ENCHG-05-GU



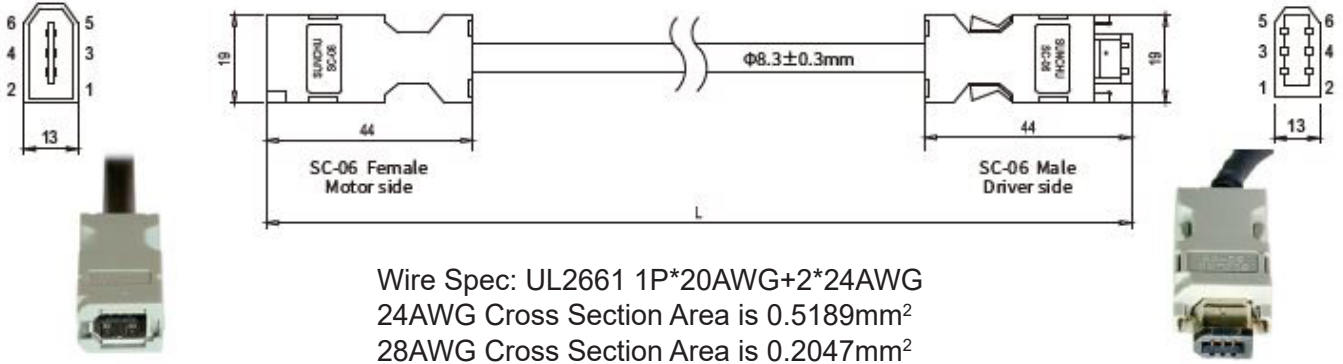
Wire Spec: UL2661 1P*20AWG(26/0.16T)+2P*24AWG(11/0.16T)
 24AWG Cross Section Area is 0.5189mm²
 28AWG Cross Section Area is 0.2047mm²

SPECIFICATIONS

SC-06F	Color	Signal 1	Signal 2	DB 15 Female
PIN1	Red	VDD	VDD	PIN1
PIN2	Black	GND	GND	PIN2
PIN3	Brown	MA_P+	/	PIN10
PIN4	Blue	MA_N-		PIN15
PIN5	Yellow	SLO_P+	SD	PIN9
PIN6	Green	SLO_N-	/SD	PIN14
Shell	Shielded wire	Shielding	Shielding	Shell

DESCRIPTION

KNC-SRV-ENCDG-05-GU



Wire Spec: UL2661 1P*20AWG+2*24AWG
 24AWG Cross Section Area is 0.5189mm²
 28AWG Cross Section Area is 0.2047mm²

Note: Signal 1 is suitable for SMC series servo motors. Signal 2 is suitable for SMS series servo motors.

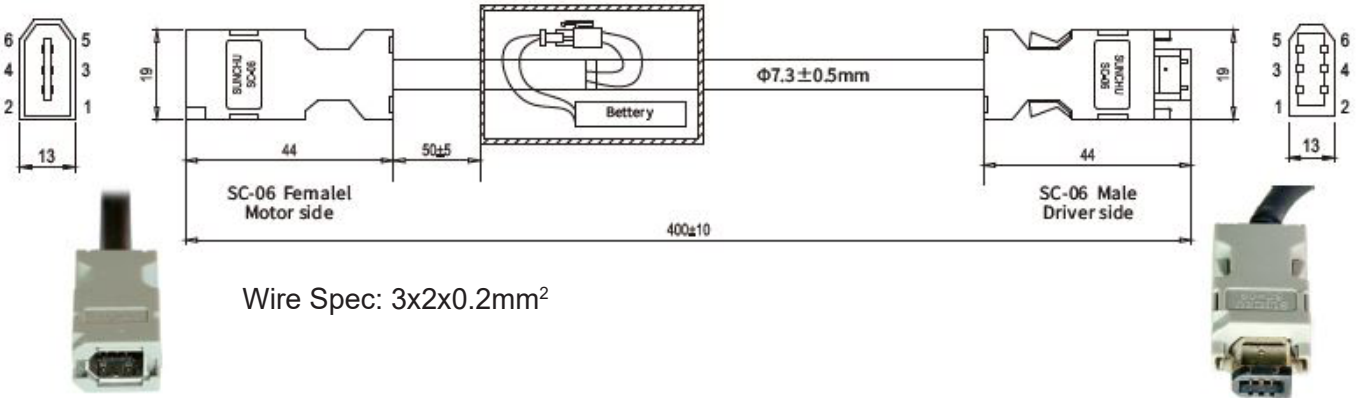
SPECIFICATIONS

SC-06F	Color	Signal 1	Signal 2
PIN1	Red	VDD	+5V
PIN2	Black	GND	GND
PIN3	Brown	MA_P+	BAT+
PIN4	Blue	MA_N-	BAT-
PIN5	Yellow	SLO_P+	SD
PIN6	Green	SLO_N-	/SD
Shell	Shield	Shield	Shield

DESCRIPTION

Servo Battery Cables

KNC-SRV-ENCDG-(4)-GU-BT



SPECIFICATIONS

SC-06F	Color	Black HSG	Ext. Single Cable	Signal	SC-06M
PIN1	Red	/	/	+5V	PIN1
PIN2	Black	/	/	GND	PIN2
PIN3	Brown	PIN1	Red	BAT+	/
PIN4	Blue	PIN2	Black	BAT-	/
PIN5	Yellow	/	/	SD	PIN5
PIN6	Green	/	/	/SD	PIN6
Shell	Shield	/	/	Shield	Shell