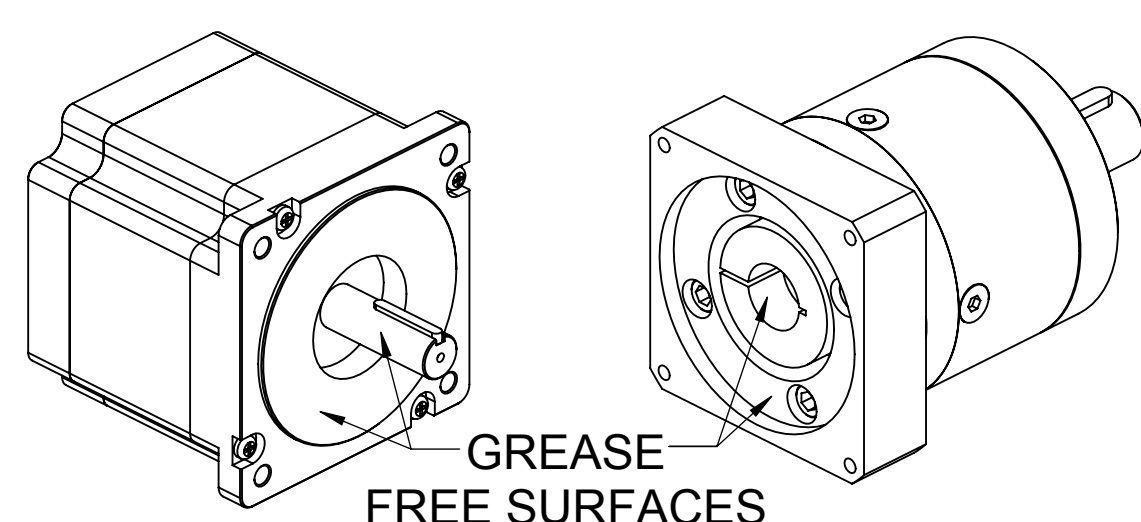


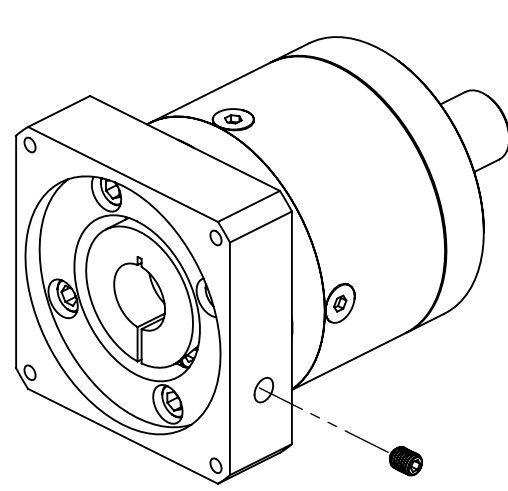
REVISIONS			
REV.	DESCRIPTION	DATE	APPROVED
A	ADDED CHART	8/19/22	JP

**STEP 1**



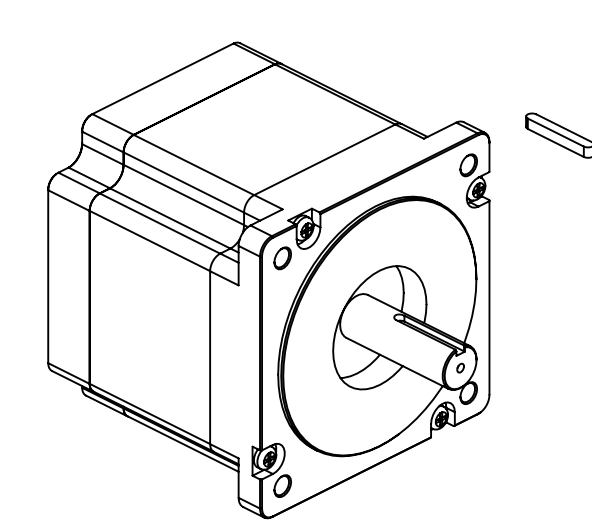
CLEAN MATING SURFACES FREE OF GREASE

**STEP 2**



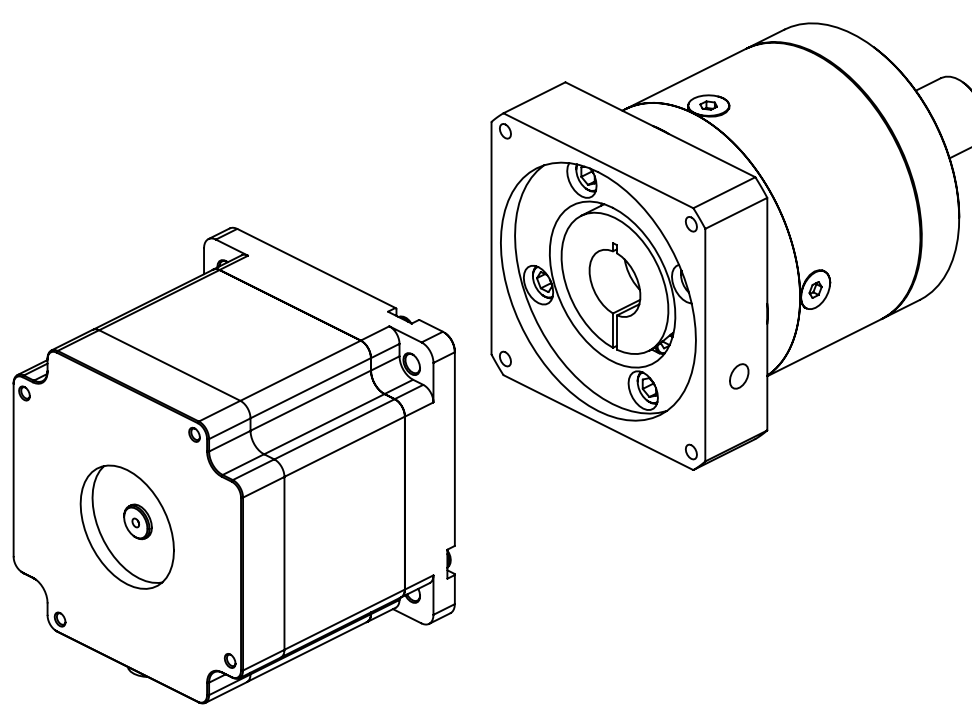
REMOVE SET SCREW

**STEP 3**



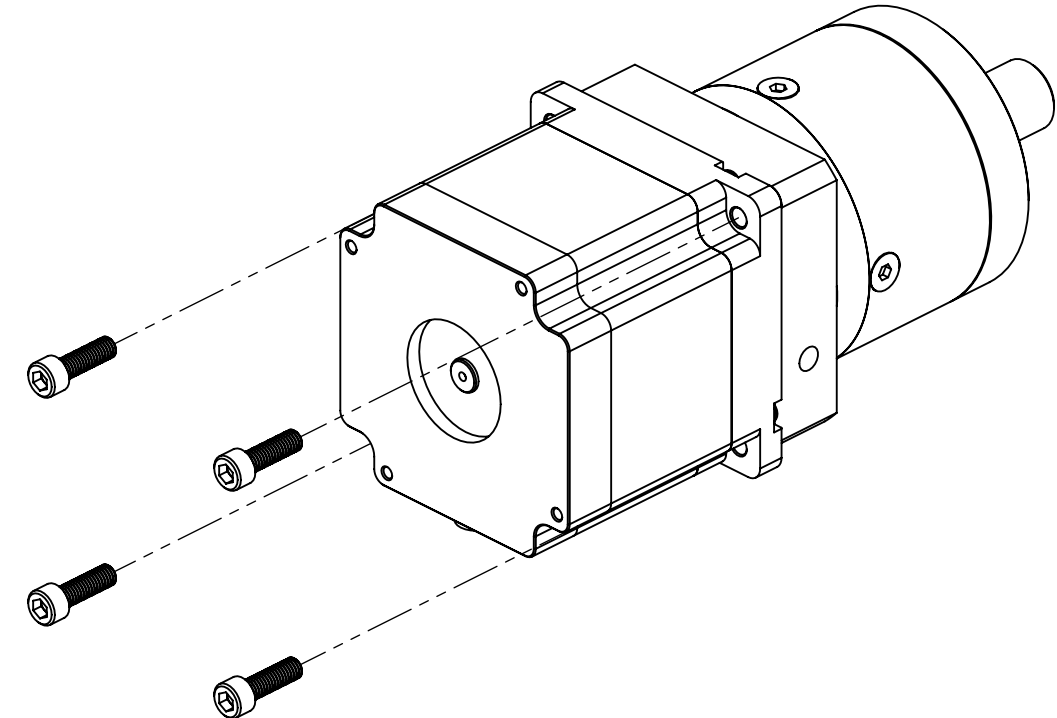
IF THE MOTOR HAS A KEYWAY, REMOVE IT

**STEP 4**



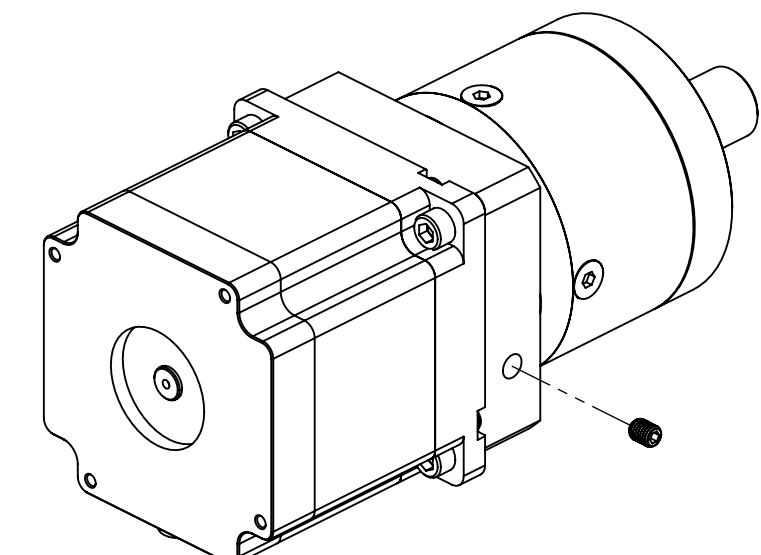
FIT THE MOTOR IN THE GEARBOX

**STEP 5**



MOUNT MOTOR TO GEARBOX WITH SCREWS PROVIDED

**STEP 6**



TIGHTEN COUPLER AND REPLACE SET SCREW

GEAR BOX SIZE	CLAMP SCREW SIZE	CLAMP SCREW TORQUE
GBPN(R)-040	M3 x 10L	2 Nm
GBPN(R)-060	M4 x 12L	4.5 Nm
GBPN(R)-080	M5 x 16L	9.5 Nm
GBPN(R)-120	M6 x 20L	16.5 Nm
GBPN-160	M8 x 30L	40 Nm

**PROPRIETARY AND CONFIDENTIAL**  
 THE INFORMATION CONTAINED IN THIS DRAWING IS THE SOLE PROPERTY OF ANAHEIM AUTOMATION INC. ANY REPRODUCTION IN PART OR AS A WHOLE WITHOUT THE WRITTEN PERMISSION OF ANAHEIM AUTOMATION INC. IS PROHIBITED.

<b>ANAHEIM AUTOMATION INC. 4985 E. LANDON DRIVE ANAHEIM, CA 92807 (714) 992-6990</b>			
UNLESS OTHERWISE SPECIFIED:	NAME	DATE	
DIMENSIONS ARE IN INCHES	DRAWN	TR	8/19/22
TOLERANCES:	CHECKED		
FRACTIONAL ±	ENG APPR.		
ANGULAR: MACH ±	MFG APPR.		
TWO PLACE DECIMAL ±	Q.A.		
THREE PLACE DECIMAL ±	COMMENTS:		
INTERPRET GEOMETRIC TOLERANCING PER:			
MATERIAL			
FINISH			
NEXT ASSY	USED ON		
APPLICATION	DO NOT SCALE DRAWING		



TITLE: GBPN GEARBOX TO MOTOR MOUNTING INSTRUCTIONS		
SIZE	DWG. NO.	REV
C	AA4485	A
SCALE: 1:2	WEIGHT:	SHEET 1 OF 1