

# MBC25PG1(L) Microstep Driver with Pulse Generator



FEATURES

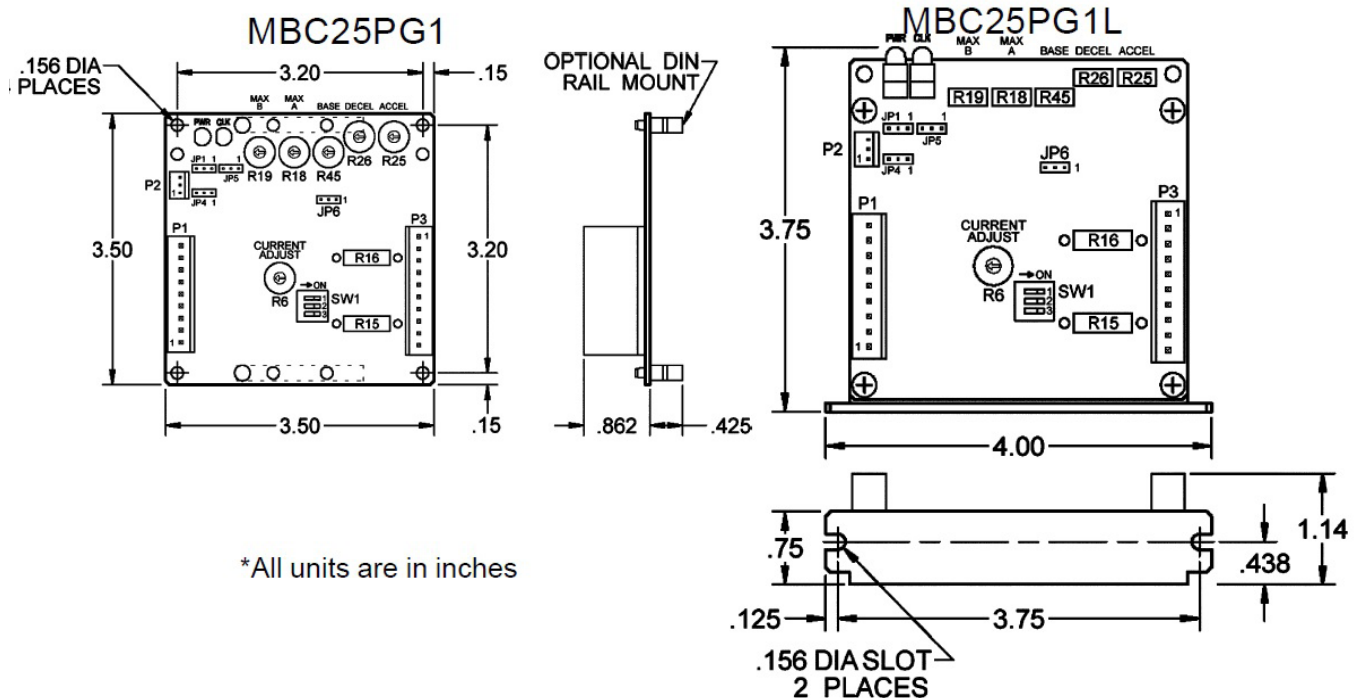
- Output Current of 2.5A Peak
- 200 to 1600 Steps/Revolution (1, 2, 4 and 8 Selectable Step Operation)
- Drives Two Motors In Series
- On-Board Pulse Generator
- Pulse From 50Hz to 44kHz
- Clock Output for Daisy Chaining
- Motor On/Off Input
- Short Circuit Protection



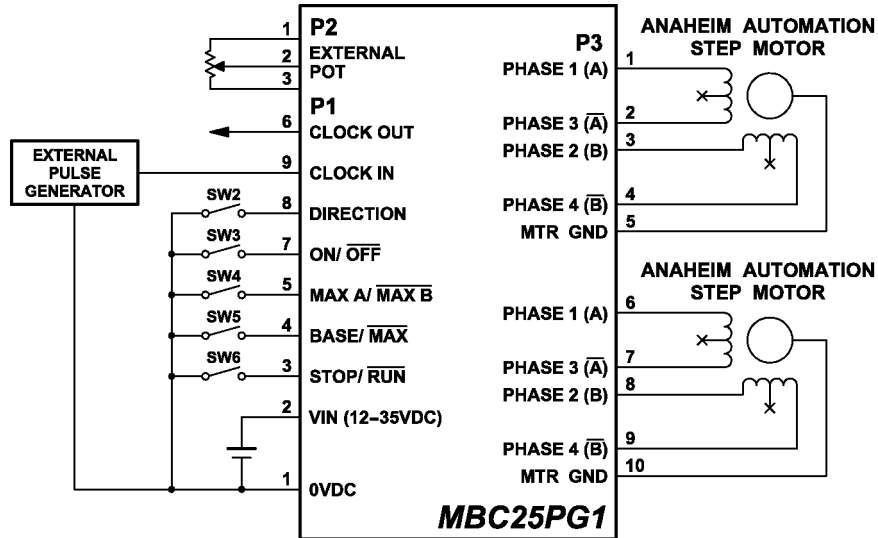
DESCRIPTION

The MBC25PG1(L) microstep driver/pulse generator has an output capability of 0.5A minimum to 2.5 maximum (peak rating). The MBC25PG1(L) driver operates with a DC voltage of 12VDC to 35VDC. The logic inputs can be operated from +5VDC minimum to +24VDC maximum. The MBC25PG1(L)'s internal PG (pulse generator) is a linear ramping PG designed to be used with this driver. It has adjustable base speeds and max speed, independent adjustments for acceleration (ramping up) and deceleration (ramping down), jumper selectable external or on-board max speed potentiometer and a jumper selectable deceleration profile. The MBC25PG1(L) also has an available clock output of its internal pulse generator that can be used for daisy chaining drivers together. The MBC25PG1(L) driver features direction control and motor current On/Off capabilities. The "Reduce Current Enabled" feature automatically reduces motor current to 70% of the set value. The driver has built in features to indicate power on (green LED) and clocks being received (yellow LED). The MBC25PG1(L) has various step resolutions that can be implemented by using the on-board dip switch. These divisions range from 200 steps/rev to 1600 steps/rev. The bipolar drive configuration handles 4, 6 and 8 lead step motors and is also equipped with short circuit, over temperature and crossover current protection.

DIMENSIONS



L010061



Power Requirements:	12-35VDC
Output Current Range:	$T_A = 25^\circ\text{C}$ 0.5 - 2.5A Peak
Clock Out Frequency:	50Hz - 44kHz
Driver Chopping Frequency:	25kHz - 30kHz
Operating Temperature:	0°C to 70°C

Model #	Description
MBC25PG1:	Driver/Pulse Generator
MBC25PG1L:	Driver/Pulse Generator with L Bracket for Vertical Mounting
DIN-209-188:	Optional Din Rail Mountable Feet for MBC25PG1
CON-6404289	Optional 9 pin, 0.156" IDC (AMP part no. 640428-9)
CON-16404280	Optional 10 pin, 0.156" IDC (AMP part no. 1-640428-0)
CON-6404403	Optional 3 pin, 0.100" IDC (AMP Part no. 640440-3)
PSAM24V2.7A	Optional Power Supply 24V, 2.7A