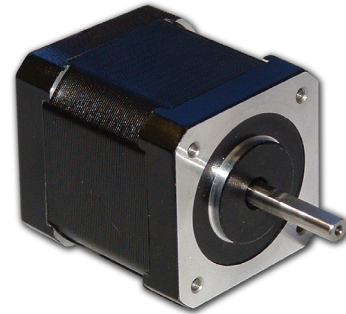


17Y Series - High Torque Step Motors

FEATURES

- **NEMA 17 Frame Size**
- **1.8° Step Angle (0.9° also available)**
- **IP50 Rated**
- **High Torque - Up to 111 oz-in**
- **High Step Accuracy and Resolution**
- **Low Vibration and Noise**
- **Shaft Flat as Standard**
- **Can be Customized for**
 - **Winding Current**
 - **Shaft Options**
 - **Cables and Connectors**
- **CE Certified and RoHS Compliant**



DESCRIPTION

The 17Y Series High Torque Step Motors offer a great value without sacrificing quality. These motors were designed to offer the highest possible torque while minimizing vibration and audible noise. A broad line of motor windings and stack lengths are available off-the-shelf, or the motors can be customized to fit your machine requirements. We can customize the winding to perfectly match your voltage, current, and maximum torque at operating speeds for maximum flexibility.

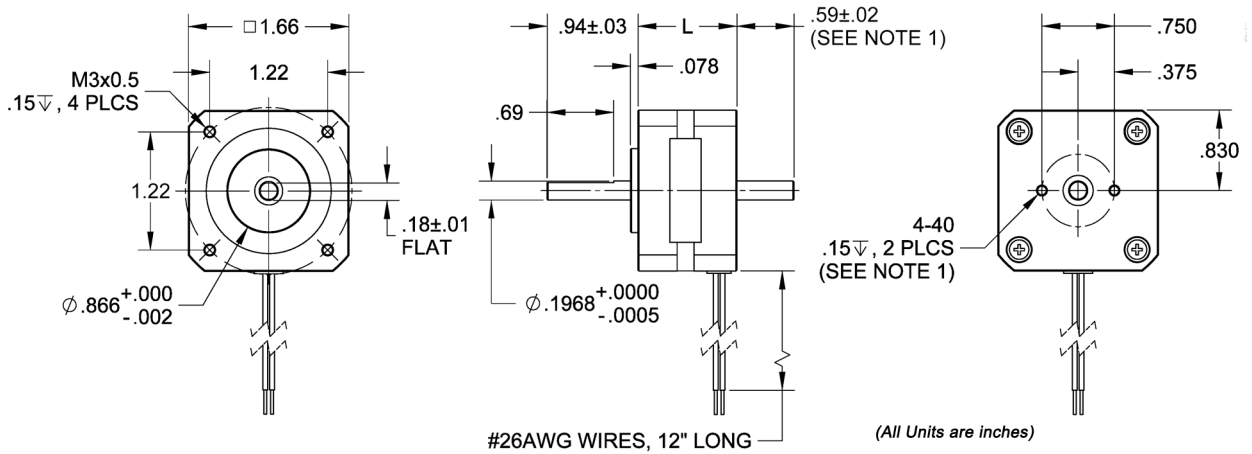
Accessories are available for optional motor adders such as gearboxes, encoders, cables and connectors. Compatible drivers for the 17Y Series include the MBC15081 and MBC25081TB.

CUSTOM ORDER LAYOUT

Model #	NEMA Size	Bipolar Torque (oz-in)	Series Current (A)	Bipolar Voltage (V)	Series Inductance (mH)	Series Resistance (ohm)	Rotor Inertia (oz-in-sec ²)	# of Lead Wires	Weight (lbs)	L Length (in)
17Y001S-LW4	17	24	0.40	9.6	30	24	0.00028	4	0.33	1.02
17Y001D-LW4	17	24	0.40	9.6	30	24	0.00028	4	0.33	1.02
17Y101S-LW4	17	28	0.28	12	49	43	0.00054	4	0.44	1.34
17Y101D-LW4	17	28	0.28	12	49	43	0.00054	4	0.44	1.34
17Y101D-LW6	17	21.9	0.4	9.6	15	24	0.00054	6	0.49	1.30
17Y102S-LW4	17	28	0.71	4.2	10.7	7.3	0.00054	4	0.44	1.34
17Y102D-LW4	17	28	0.71	4.2	10.7	7.3	0.00054	4	0.44	1.34
17Y103S-LW4	17	27.8	1.0	5.3	6.6	5.3	0.00054	4	0.48	1.32
17Y201S-LW4	17	50	0.28	15.7	90	56	0.00076	4	0.62	1.57
17Y201D-LW4	17	50	0.28	15.7	90	56	0.00076	4	0.62	1.57
17Y202S-LW4	17	50	0.85	5.6	10	6.5	0.00076	4	0.62	1.57
17Y301S-LW4	17	61	0.28	19.3	103	69	0.00096	4	0.77	1.89
17Y301D-LW4	17	61	0.28	19.3	103	69	0.00096	4	0.77	1.89
17Y302S-LW4	17	61	0.85	5.6	11	6.6	0.00096	4	0.77	1.89
17Y302D-LW4	17	61	0.85	5.6	11	6.6	0.00096	4	0.77	1.89
17Y305S-LW4	17	61	1.68	2.8	2.8	1.7	0.00096	4	0.77	1.89
17Y402S-LW4	17	111	0.85	10.2	29	12	0.00144	4	1.10	2.36
17Y402D-LW4	17	111	0.85	10.2	29	12	0.00144	4	1.10	2.36
17Y408S-LW4	17	111	3	3.3	2.4	1.1	0.00144	4	1.10	2.36
17Y408D-LW4	17	111	3	3.3	2.4	1.1	0.00144	4	1.10	2.36

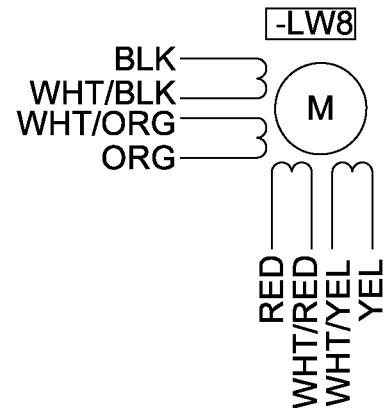
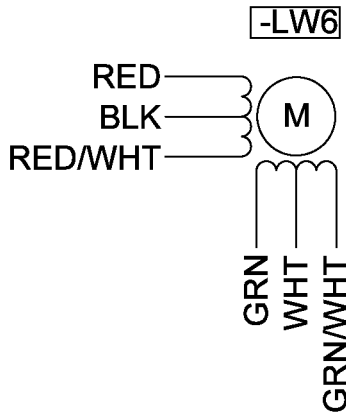
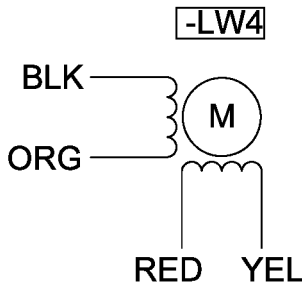
Note: All Shafts have a flat unless otherwise noted. The 7th character "S" denotes a single shaft, use "D" for double shaft. Double shafts include encoder mounting provisions. Custom cables, connectors, and windings are available upon request.

L010174



Note1: Applies to dual shaft option only

SPECIFICATION CONVERSION TABLE			
Connection	Current (A)	Resistance (R)	Inductance (L)
Series Standard	A	R	L
Parallel	2A	R / 4	L / 4
Unipolar	1.414A	R / 2	L / 4



Step Angle Accuracy:	± 5% (Full Step, No Load)	Insulation Resistance:	100M Ohm Min, 500VDC
Resistance Accuracy:	± 10%	Dielectric Strength:	500VAC for 1 minute
Inductance Accuracy:	± 20%	Shaft Radial Play:	0.02" Max (1.0 lbs)
Temperature Rise:	80°C Max (2 Phases On)	End Play:	0.08" Max (1.0 lbs)
Ambient Temperature:	-20° to +50° C	Max Radial Force:	6.29 lbs (0.79" from flange)
Insulation Type:	Class B (130°C Internal)	Max Axial Force:	2.24 lbs-Force