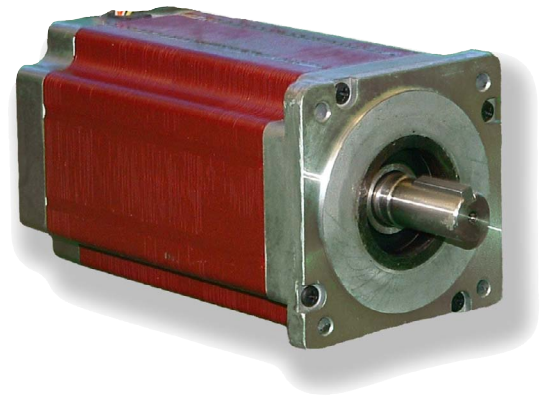


34K Series - High Torque Stepper Motors

FEATURES

- **NEMA 34 Frame Size**
- **1.8° Step Angle**
- **Holding Torque Ratings Up To 2790 oz-in**
- **Substantial Increase In Torque Over Standard & High Torque Motors**
- **High Acceleration and Increased Rotor Inertia**
- **4 Stack Lengths**
- **Microstep Increments as Small as 0.0072° (with our MBC082561 driver)**
- **1.5% Typical Step Accuracy**
- **Rugged Construction**
- **Higher Temperature Characteristics**
- **CE Certified and RoHS Compliant**



DESCRIPTION

These Super High Torque Stepper Motors use advanced magnetic technologies to provide significantly higher torque levels than what is available in all other stepper motors. These motors are available in a variety of windings to meet any application specific requirement. The torque levels reached with this step motor line make them cost-effective alternatives to servo motor in many applications. These motors can be specified in place of standard motors to reduce system size and cost, or increase system performance, without the need to go to larger sized motors or drivers.

See Accessories on our website for optional motor adders such as encoders, cables, and connectors. Gearbox options can be found in Gearboxes. See compatible drivers for the 34K Series: MBC05641, MBC12101, MBC082561, MBC10641, MLA10641, and Driver Packs.

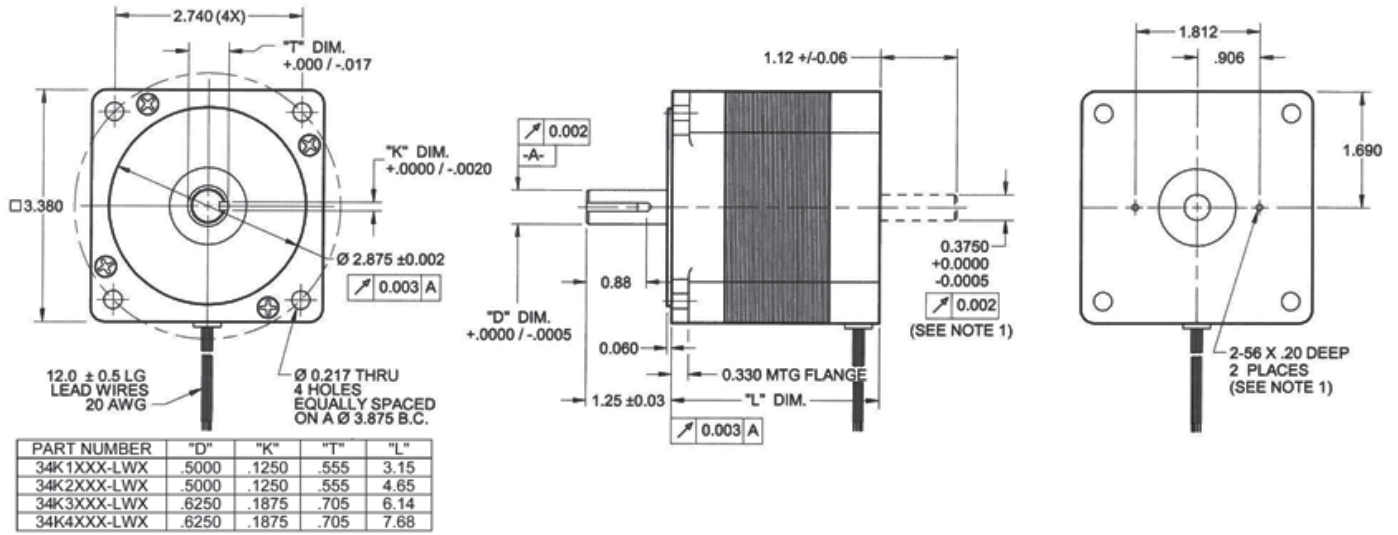
SPECIFICATIONS

Model #	NEMA Size	Bipolar Torque (oz-in)	Series Current (A)	Unipolar Current (A)	Parallel Current (A)	Unipolar Inductance (mH)	Rotor Inertia (oz-in-sec ²)	Shaft Diameter (in)	# Lead Wires	Weight (lbs)	"L" Length (in)
34K104S-LW8	34	805	1.4	2.0	2.80	10.2	0.02	0.500	8	5.00	3.13
34K108S-LW8	34	820	2.7	3.9	5.40	2.80	0.02	0.500	8	5.00	3.13
34K112S-LW8	34	830	4.3	6.1	8.60	1.20	0.02	0.500	8	5.00	3.13
34K207S-LW8	34	1510	2.5	3.5	5.00	5.70	0.038	0.500	8	8.40	4.65
34K214S-LW8	34	1535	5.0	7.1	10.0	1.40	0.038	0.500	8	8.40	4.65
34K307S-LW8	34	2145	2.5	3.5	5.00	7.00	0.057	0.625	8	11.9	6.13
34K314S-LW8	34	2150	5.0	7.0	10.0	1.70	0.057	0.625	8	11.9	6.13
34K412S-LW8	34	2790	4.4	6.2	8.80	3.60	0.075	0.625	8	15.1	7.68
34K416S-LW8	34	2725	5.6	8.0	11.2	2.00	0.075	0.625	8	15.1	7.68

Notes: The 8th character "S" denotes a single shaft. Custom leadwires, cables, connectors, and windings are available upon request.

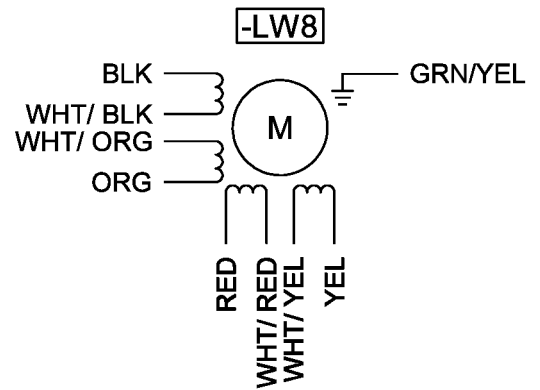
L010373

DIMENSIONS



WIRING INFORMATION

Connection	Lead Wire Connection	Lead Wire Color	Terminal #
4 - Lead Bipolar Series MBC or MLP Series	A	Black	1
	/A	Orange	3
	B	Red	2
	/B	Yellow	4
	None	White/Black & White/Orange	6 & 5
4 - Lead Bipolar Parallel MBC or MLP Series	A	Black & White/Orange	1 & 5
	/A	Orange & White/Black	3 & 6
	B	Red & White/Yellow	2 & 7
	/B	Yellow & White/Red	4 & 8
	None	White/Red & White/Yellow	8 & 7
6 - Lead Unipolar BLD, TM Series	Phase 1	Black	1
	Phase 3	Orange	3
	Phase 2	Red	2
	Phase 4	Yellow	4
	Common Phase 1 & 3	White/Black & White/Orange	6 & 5
Common Phase 2 & 4	White/Red & White/Yellow	8 & 7	
Ground		Green/Yellow	Motor Frame



SPECIFICATIONS

Step Angle Accuracy:	±1.5% (Full Step, No Load)	Insulation Type:	Class B
Resistance Accuracy:	±10%	Insulation Resistance:	100M ohms @ 500VDC
Full Step Angle:	1.8°	Max Radial Force:	20lbs
Ambient Temperature	-20°C - +40°C	Max Axial Force:	13lbs