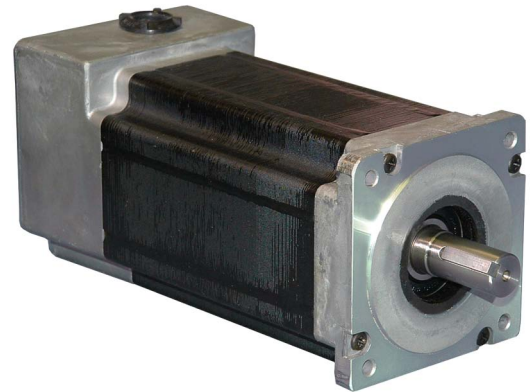


34N65 Series - Sealed Stepper Motors



FEATURES

- **NEMA 34 Frame Size**
- **1.8° Step Angle**
- **High Torque - Up to 2180 oz-in**
- **Splashproof IP65 Sealed Stepper Motor**
- **Substantial Increase In Torque Over Standard Motors**
- **High Acceleration and Increased Rotor Inertia**
- **4 Stack Lengths**
- **Microstep Increments as Small as 0.0072° (with our MBC082561 driver)**
- **3% Typical Step Accuracy**
- **Rugged Construction**
- **Higher Temperature Characteristics**
- **CE Certified and RoHS Compliant**



DESCRIPTION

The 34N65 Series High Torque Stepper Motors use advanced magnetic technologies to provide significantly higher torque levels than that what is available in standard round motors. They are also sealed around the shaft and conduit box making them splashproof and perfect for applications requiring an IP65 rated stepper. These motors are available in a variety of windings to meet any application specific requirement. The torque levels reached with this stepper motor line make them cost-effective alternatives to servo motors in many applications. These motors can be specified in place of standard motors to reduce system size and cost, or increase system performance, without the need to go to larger sized motors or drivers.

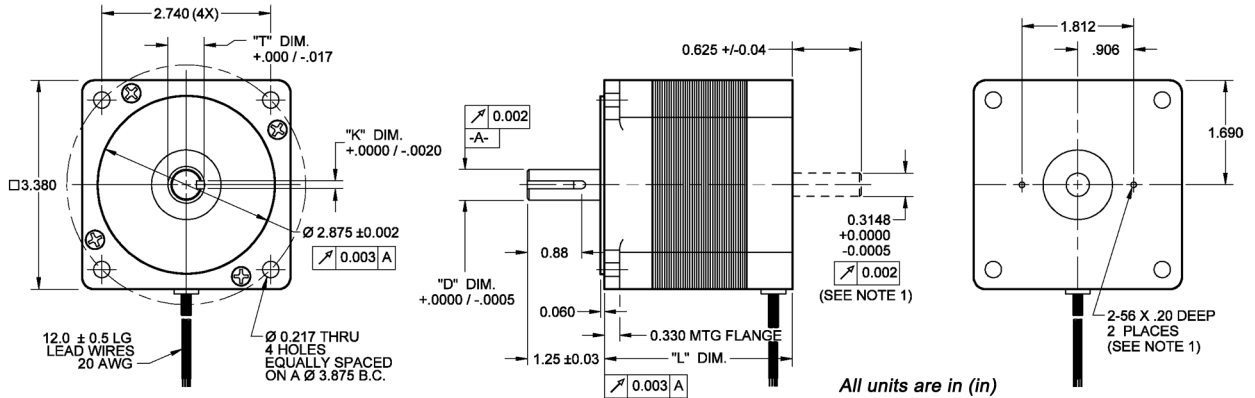
See [Accessories](#) on our website for optional motor adders such as encoders, brakes, cables and connectors. For Gearbox options, see GBPH series gearboxes. For compatible drivers, consider our popular MBC082561, MBC10641, MBC12101 and MLA10641 drivers or Driver Packs.

SPECIFICATIONS

Model #	NEMA Size	Bipolar Torque (oz-in)	Series Current (A)	Unipolar Current (A)	Parallel Current (A)	Unipolar Inductance (mH)	Rotor Inertia (oz-in-sec ²)	Shaft Diameter (in)	# of Terminals	Weight (lbs)	L Length (in)
34N65104S-CB8	34	635	1.4	2.0	2.8	12.5	0.020	0.500	8	5.00	4.44
34N65108S-CB8	34	645	2.7	3.9	5.4	3.5	0.020	0.500	8	5.00	4.44
34N65112S-CB8	34	650	4.3	6.1	8.6	1.4	0.020	0.500	8	5.00	4.44
34N65207S-CB8	34	1195	2.5	3.5	5.0	6.5	0.038	0.500	8	8.40	5.96
34N65214S-CB8	34	1195	5.0	7.1	10.0	1.8	0.038	0.500	8	8.40	5.96
34N65307S-CB8	34	1710	2.5	3.5	5.0	9.0	0.057	0.625	8	11.9	7.48
34N65314S-CB8	34	1715	5.0	7.0	10.0	2.3	0.057	0.625	8	11.9	7.48
34N65412S-CB8	34	2180	4.4	6.2	8.8	4.7	0.075	0.625	8	15.1	8.99
34N65416S-CB8	34	2140	5.6	8.0	11.2	2.6	0.075	0.625	8	15.1	8.99

L010432

DIMENSIONS

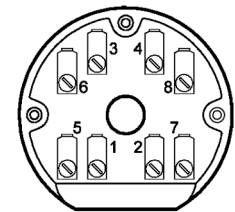
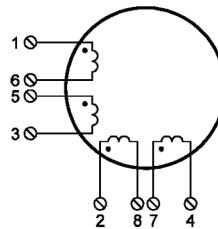


All units are in (in)

Part Number	"D"	"K"	"T"	"X"	"L"
34X1XXS-CB8	0.500	0.1250	0.555	3.70	4.44
34X2XXS-CB8	0.500	0.1250	0.555	5.22	5.96
34X3XXS-CB8	0.625	0.1875	0.705	6.74	7.48
34X4XXS-CB8	0.625	0.1875	0.705	8.25	8.99

WIRING INFORMATION

Connection	Lead Wire Connection	Terminal #
4 - Lead Bipolar Series MBC or MLP Series	(A)	1
	(/A)	3
	(B)	2
	(/B)	4
	None	2 & 3
4 - Lead Bipolar Parallel MBC or MLP Series	None	6 & 7
	(A)	1 & 5
	(/A)	3 & 6
	(B)	2 & 7
	(/B)	4 & 8
6 - Lead Unipolar BLD, TM Series	Phase 1	1
	Phase 3	3
	Phase 2	2
	Phase 4	4
	Common Phase 1 & 3	6 & 5
Common Phase 2 & 4	8 & 7	



TERMINAL BOARD

SPECIFICATIONS

Step Angle Accuracy:	±3.0%	Insulation Type:	Class B
Resistance Accuracy:	±10%	Insulation Resistance:	100M ohms @ 500VAC
Full Step Angle:	1.8°	Max Radial Force:	20lbs
Ambient Temperature:	-20° C - +40°C	Max Axial Force:	13lbs