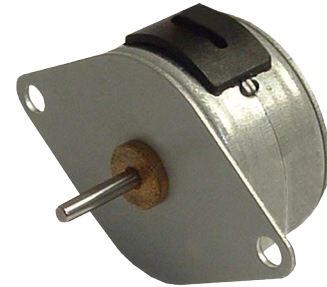


TSM25-075 - Permanent Magnet Stepper Motor



FEATURES

- **Permanent Magnet Stepper Motor**
- **25mm Diameter**
- **7.5 Degree Step Angle**
- **Up to 2.36 oz-in of Bipolar Holding Torque**
- **Customization Available for:**
 - **Winding Current to Optimize Torque**
 - **Shaft Options**
 - **Cables or Connectors**
- **RoHS Compliant and CE Certified**



DESCRIPTION

These miniature Permanent Magnet DC Stepper Motors measure 25mm in diameter and provide up to 2.36 ounce-inches of bipolar holding torque. These motors come standard in 7.5° step angles with a four or six-lead wire connection, and are offered in 5V or 12V voltage ratings. Customization is available for larger quantities.

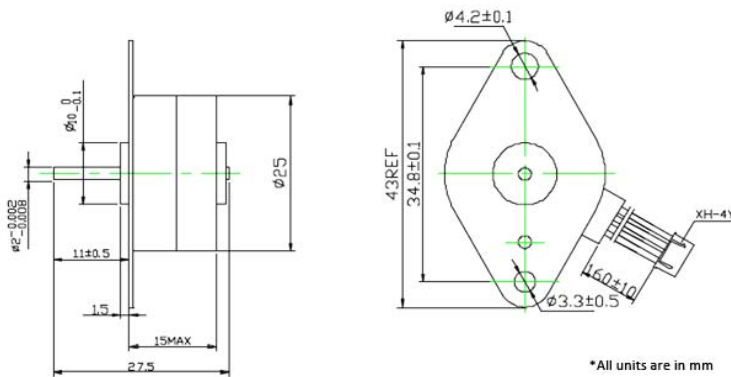
SPECIFICATIONS

Item	# of Wires	# of Phases	Bipolar Holding Torque (oz-in)	Detent Torque (oz-in)	Bipolar Series RMS Voltage (V)	Current Per Phase (A)	Resistance Per Phase (ohms)	Rotor Inertia (oz-in-sec ²)	Weight (lbs)	Length (mm)
TSM25-075-15-12V-024A-LW4	4	2	2.36	0.62	12	0.24	50	0.000014	0.06	15.0
TSM25-075-15-12V-024A-LW6	6	4	2.22	0.49	12	0.25	50	0.000014	0.06	15.0
TSM25-075-15-5V-050A-LW4	4	2	1.67	0.56	5	0.50	10	0.000014	0.06	15.0
TSM25-075-15-5V-050A-LW6	6	4	1.67	0.62	5	0.50	10	0.000014	0.06	15.0

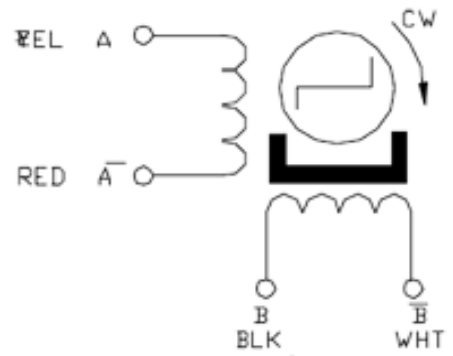
Step Angle Accuracy	±8% (Full Step, No Load)	Insulation Resistance	100ΩMin. 500 VDC
Resistance Accuracy	±10%	Dielectric Strength	500VAC for One Minute
Inductance Accuracy	±20%	Shaft Radial Play	0.06Max (450 g-load)
Temperature Rise	80°C Max	Shaft Axial Play	+/- 0.5mm (450 g-load)
Ambient Temperature	-20°C to +50°C		

L010846

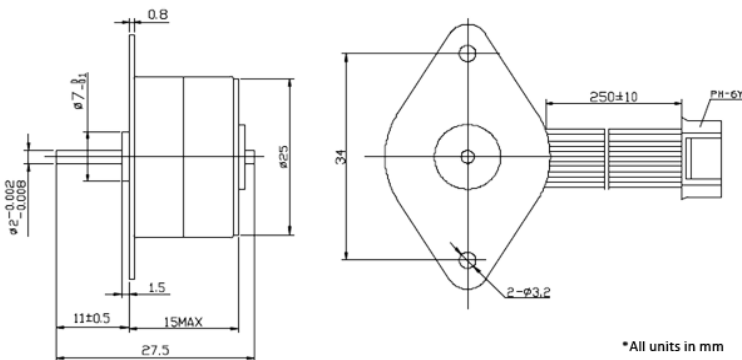
TSM25-075-15-12V-024A-LW4



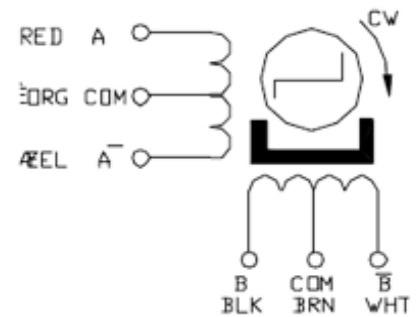
*All units in mm



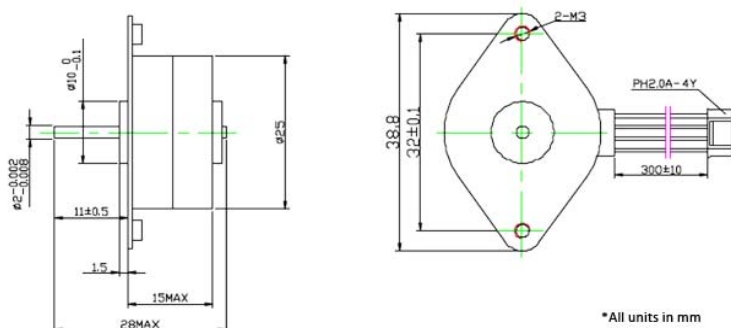
TSM25-075-15-12V-024A-LW6



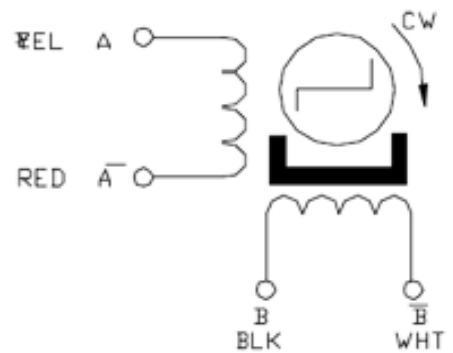
*All units in mm



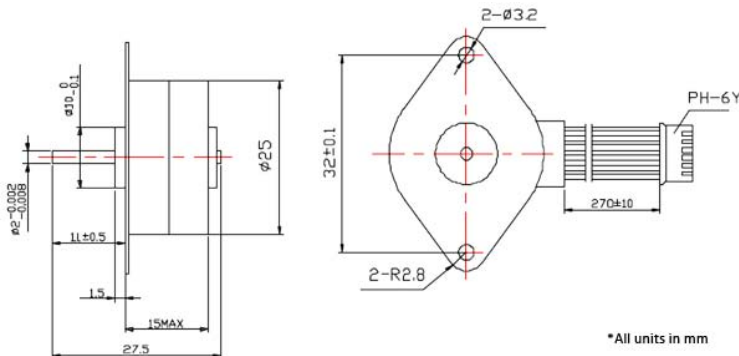
TSM25-075-15-5V-024A-LW4



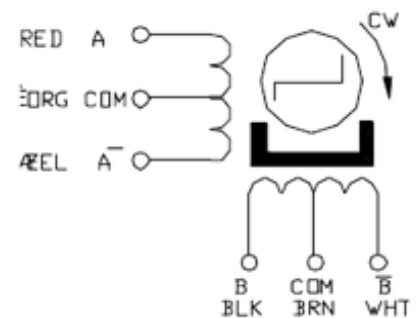
*All units in mm



TSM25-075-15-5V-024A-LW6



*All units in mm



**All units are in mm