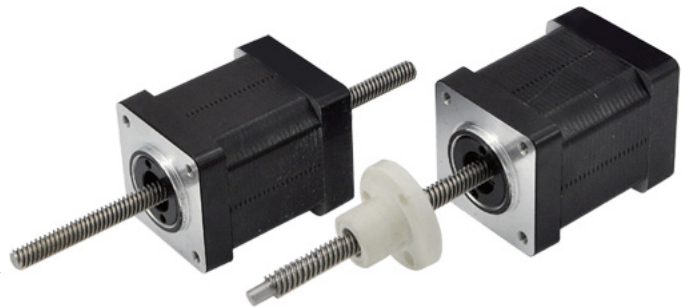


# 14AW Stepper Linear Actuators



FEATURES

- NEMA Size 14
- Motor Winding Options Available
- Custom Lead Screw Lengths
- Stepper Motor with Internal or External Nut
- Self Contained Package with Ball Bearings
- 1.8° Step Angle
- Multiple Lead Screw Thread Options
- From 0.003969mm up to 0.03175mm Per Full Step

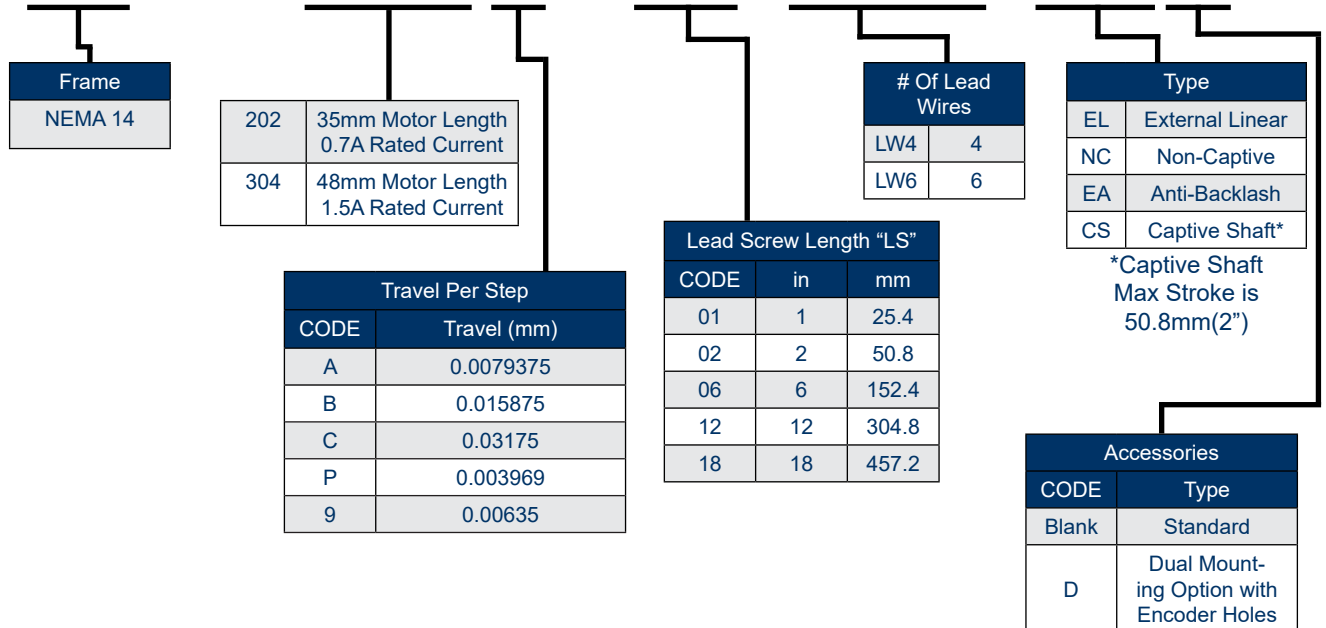


DESCRIPTION

Anaheim Automation's 14AW leadscrew Stepper Motors were designed to be the most versatile linear position motors in today's market. These robust linear actuators, available in non-captive, external linear, or anti-backlash options, use a NEMA 14 hybrid stepper motor, and can be easily configured to solve difficult applications problems. Integration of a leadscrew with a motor saves space, eliminates components, and reduces cost. While many standard configurations are available, custom modifications for OEM customers are welcome.

BUILD A PART NUMBER

## 14AW202CX06-LW4-ELD



**Note:** See *Accessories* on our website for optional encoder and/or connector adders.

Nut Part #	Description
14AW-C-NUT	Replacement nut for 14AW stepper motor with 6.35mm lead, Leadscrew thread code C
14AW-P-NUT	Replacement nut for 14AW stepper motor with 0.79375mm lead, Leadscrew thread code P

L011508

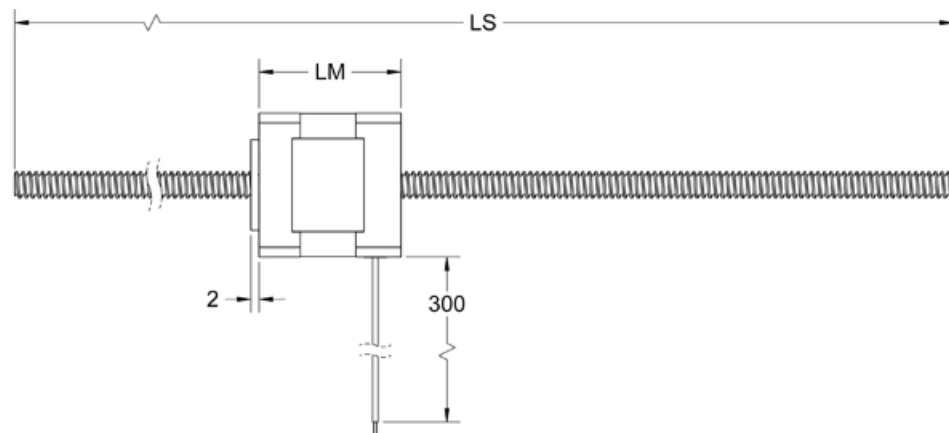
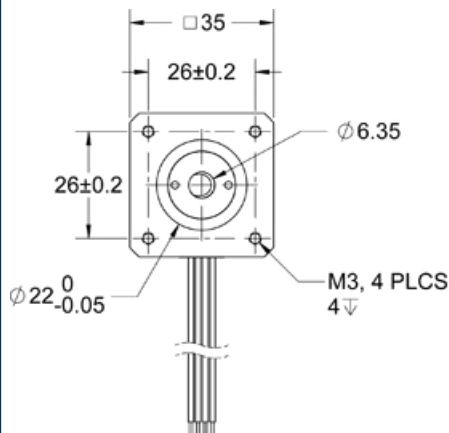
Motor Specifications

Model Number	Voltage (V)	Bipolar Current (A)	Resistance (ohms)	Inductance (mH)	Number of Leads	Motor Weight (lbs)	Motor Length "LM" (mm)	Screw Length (in/mm)
14AW202CX06-LW4-EL	4.9	1	7.0 ± 10%	10.0 ± 20%	4	0.45	34.5	6 (152.4)
14AW202CX12-LW4-NC	4.9	0.7	7.0 ± 10%	10.0 ± 20%	4	0.57	34.5	12 (304.8)
14AW202PX06-LW4-EL	4.9	0.7	7.0 ± 10%	10.0 ± 20%	4	0.52	34.5	6 (152.4)
14AW202PX06-LW4-NC	4.9	1	7.0 ± 10%	10.0 ± 20%	4	0.40	34.5	6 (152.4)
14AW202PX12-LW4-NC	4.9	0.7	7.0 ± 10%	10.0 ± 20%	4	0.57	34.5	12 (304.8)
14AW202PX18-LW4-NC	4.9	0.7	7.0 ± 10%	10.0 ± 20%	4	0.57	34.5	18 (457.2)
14AW202PX06-LW4-EA	4.9	0.7	7.0 ± 10%	10.0 ± 20%	4	0.45	34.5	6 (152.4)
14AW202PX12-LW4-EA	4.9	0.7	7.0 ± 10%	10.0 ± 20%	4	0.35	34.5	12 (304.8)
14AW304CX06-LW4-EL	4.2	2	2.8 ± 10%	3.8 ± 20%	4	0.60	48.0	6 (152.4)
14AW304CX12-LW4-NC	4.2	2	2.8 ± 10%	3.8 ± 20%	4	0.57	48.0	12 (304.8)
14AW304CX18-LW4-NC	4.2	1.5	2.8 ± 10%	3.8 ± 20%	4	0.62	48.0	18 (457.2)
14AW304PX06-LW4-NC	4.2	1.5	2.8 ± 10%	3.8 ± 20%	4	0.52	48.0	6 (152.4)
14AW304PX12-LW4-EL	4.2	2	2.8 ± 10%	3.8 ± 20%	4	0.70	48.0	12 (304.8)
14AW304PX12-LW4-NC	4.2	1.5	2.8 ± 10%	3.8 ± 20%	4	0.57	48.0	12 (304.8)
14AW304CX12-LW4-EA	4.2	1.5	2.8 ± 10%	3.8 ± 20%	4	0.52	48.0	12 (304.8)

Leadscrew Thread Dimension (mm)

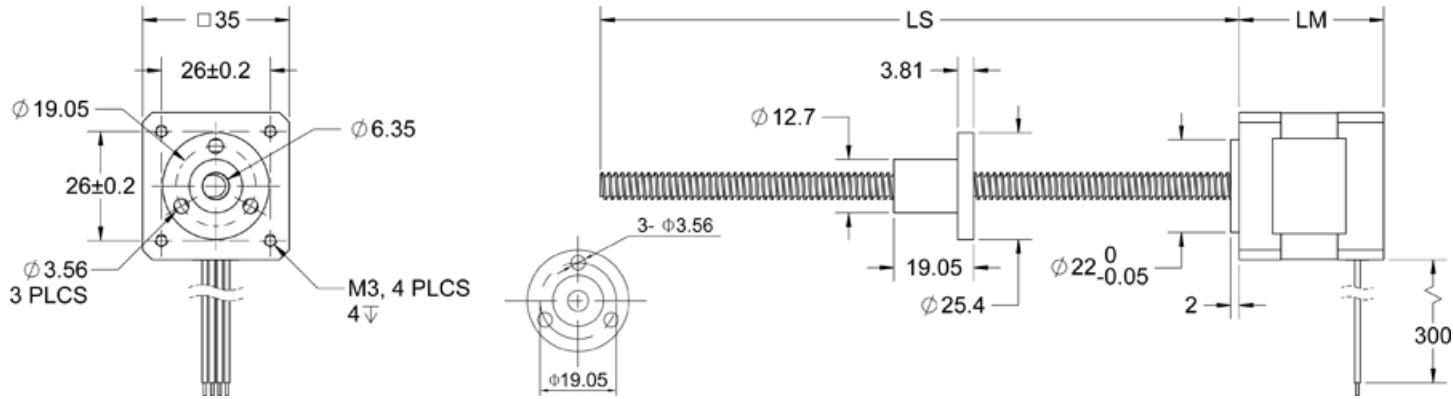
Code	(mm)	mm/STEP	mm/REV
A	6.35	0.0079375	1.5875
B	6.35	0.015875	3.175
C	6.35	0.03175	6.35
P	6.35	0.003969	0.79375
9	6.35	0.00635	1.27

Non-Captive (NC)



Units are in Millimeters

### External Linear (EL)



Units are in Millimeters

### Anti-Backlash Nut (EA)

